



# HYDRANTS

## Post Hydrant

### MODEL M-2100

1" FREEZE RESISTANT, SELF-CLOSING  
PEDAL OPERATED POST HYDRANT

#### STANDARD FEATURES

Model M-2100 delivers year-round service outside or in unheated buildings. To provide freeze resistant functionality, the control valve is located below the frost line. Stepping on the pedal raises the internal supply-line assembly to open, and the self-closing spring lowering the internal supply-line assembly to close. Constructed of heavy lead-free brass, premium-quality gray iron and steel, the M-2100 is designed for trouble-free reliability and easy maintenance.

#### SUGGESTED SPECIFICATIONS

Hydrant shall be Murdock-Super Secur model M-2100. Unit shall be capable of year-round use in freezing weather.

Unit shall extend below grade level so that centerline of supply inlet is positioned at or below frost line. Inlet shall have 1" NPT male connection.

Water shall be gravity-evacuated from inner supply column when valve is shut off.

Valve shall be pedal operated. Pedal shall be fabricated of one-piece iron casting finished with a heavy grade of oil-based green enamel. Stock, top, and base shall be fabricated of heavy, one-piece iron castings finished with a heavy grade of oil-based green enamel.

Inner supply assembly shall incorporate solid-brass castings. All solid brass castings shall conform to ASTM standards B61 and B62. Lead-free castings are used in all waterways.

Outer casing shall be black iron pipe, finished with a heavy grade of oil-based green enamel.

Hydrant shall consist of internal supply line and a surrounding outer casing pipe for protection of waterway.

Nozzle shall be solid brass casting, threaded for 1" NPS hose connection.



Standard Model: M-2100

#### DEPTH OF BURY *(additional costs may be incurred)*

- |   |   |
|---|---|
| <input type="checkbox"/> 2 ft. (61 cm)    | <input type="checkbox"/> 5 ft. (152.4 cm) |
| <input type="checkbox"/> 3 ft. (91.4 cm)  | <input type="checkbox"/> 6 ft. (182.9 cm) |
| <input type="checkbox"/> 4 ft. (121.9 cm) | <input type="checkbox"/> Other _____      |

#### OPTIONS *(additional costs may be incurred)*

- |                               |   |
|-------------------------------|---|
| <input type="checkbox"/> -BFH | Double ball check valve and vacuum breaker* |
| <input type="checkbox"/> -VB  | Vacuum breaker                              |
| <input type="checkbox"/> -R01 | Shut off valve with plate*                  |
| <input type="checkbox"/>      | Plain end spout                             |
| <input type="checkbox"/>      | Sewer drain connection                      |

\* See separate option sheets

Please visit [www.murdock-supersecur.com](http://www.murdock-supersecur.com)  
for most current specifications.



Member of  
U.S. Green  
Building  
Council



Recyclable  
Product

**MURDOCK-SUPER SECUR** A Member of Acorn Engineering's Family of Companies  
15125 Proctor Avenue • City of Industry, CA 91746 USA • Phone 800-453-7465 or 626-333-2543 • Fax 626-855-4860

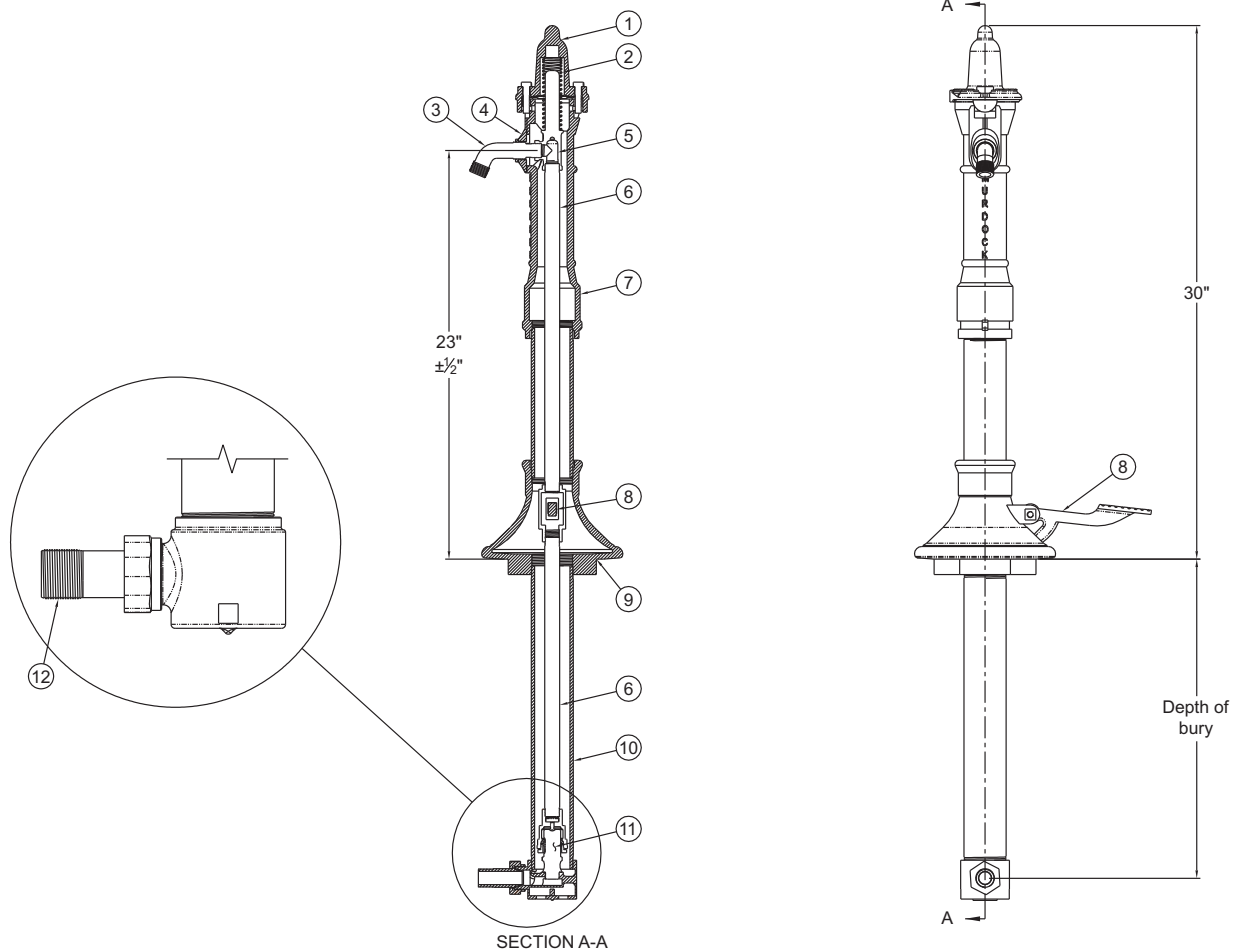


# HYDRANTS

## Post Hydrant

### MODEL M-2100

1" FREEZE RESISTANT, SELF-CLOSING  
PEDAL OPERATED POST HYDRANT



- |                                  |                     |         |                                   |
|----------------------------------|---------------------|---------|-----------------------------------|
| ① Top                            | ④ Slide             | ⑦ Stock | ⑩ Outer casing                    |
| ② Spring                         | ⑤ Tee               | ⑧ Pedal | ⑪ Valve                           |
| ③ 1" Hose thread<br>brass nozzle | ⑥ Inner supply pipe | ⑨ Base  | ⑫ 1" male NPT brass<br>connection |

**ONE YEAR LIMITED WARRANTY** - Parts are warranted for one (1) year from date of shipment.

SELECTION SUMMARY & APPROVAL FOR MANUFACTURING	
<p><i>All dimensions are nominal and subject to manufacturer's change without notice. Murdock-Super Secur assumes no responsibility for use of void or suspended data. © Copyright 2009, Murdock-Super Secur, a division of Acorn Engineering Company. Please visit <a href="http://www.murdock-supersecur.com">www.murdock-supersecur.com</a> for most current specifications.</i></p>	Model Numbers & Options _____ Quantity _____
	Company _____ Date _____
	Contact _____ Title _____
	Approval for Manufacturing/Signature _____