



# DRINKING FOUNTAIN

## A480CUP Series

### MODEL A4804000-CUSP

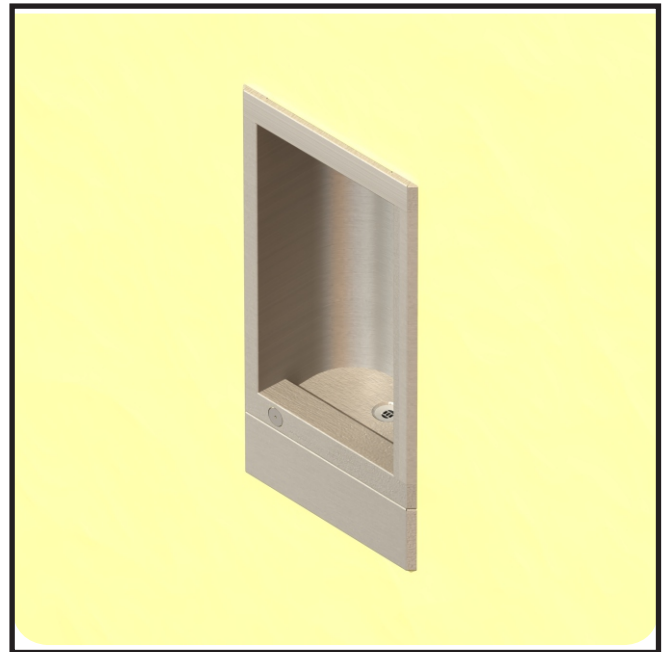
FULLY RECESSED,  
WALL MOUNTED CUSPIDOR

#### STANDARD FEATURES

- 18 gage, 304 stainless steel cabinet
- 16 gage, galvanized mounting frame
- Polished chrome plated brass, washdown outlet
- 100 mesh inlet strainer
- Vandal resistant screws

#### SUGGESTED SPECIFICATIONS

Model A4804000-CUSP is a fully recessed, wall mounted, vandal resistant cuspidor made from 18 gage, 304 stainless steel with a brushed finish. Unit shall be activated by a surface mounted, chrome plated brass front pushbutton using less than 5 pounds of force. Washdown outlet shall be chrome plated brass and operates on a water pressure range of 20-105 psig. Unit is certified to ANSI A117.1, Public Law 111-380 (NO-LEAD), CHSC 116875 and NSF/ANSI 61, Section 9.



"INDOOR USE ONLY"

#### MODEL:

(Must Specify)

A4804000-CUSP      Satin Stainless Finish

#### OPTIONS

(additional costs may be incurred)

-HP      High Polish



Member of  
U.S. Green  
Building  
Council



Recyclable  
Product



Water  
Conserving  
Product

Please visit [www.murdockmfg.com](http://www.murdockmfg.com)  
for most current specifications.

Complies  
with the  
following  
standards:



MURDOCK MFG. • 15125 Proctor Avenue • City of Industry, CA 91746 USA  
Phone 800-453-7465 or 626-333-2543 • Fax 626-855-4860 • [www.murdockmfg.com](http://www.murdockmfg.com)

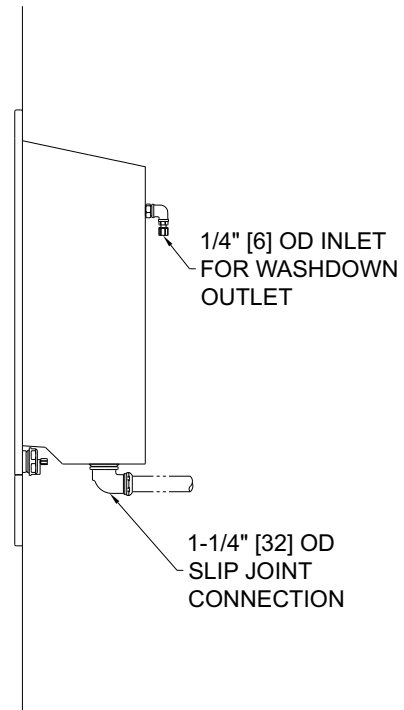
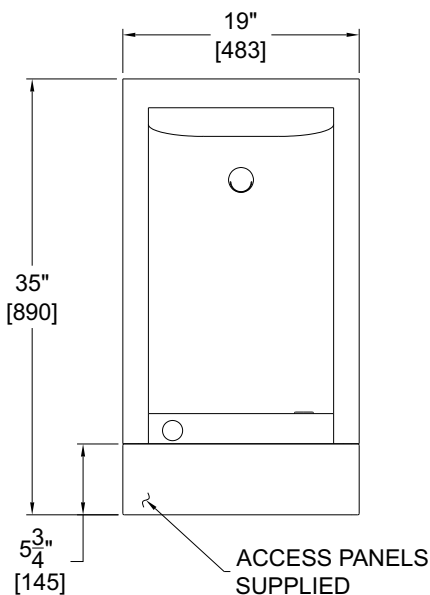
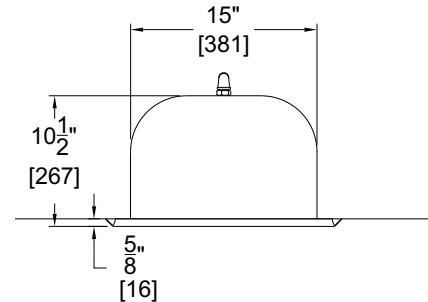
Member of  
MORRIS GROUP  
INTERNATIONAL



# DRINKING FOUNTAIN

All dimensions are subject to manufactures tolerance of plus or minus 1/8" nominal and subject to change without notice. Murdock Mfg. assumes no responsibility for use of void or superseded data. Dimensions may change with the addition of optional accessories. Murdock Mfg.™, Member of Morris Group International™. Please visit [www.Murdockmfg.com](http://www.Murdockmfg.com) for most current specifications.

## A480CUSP Series MODEL A4804000-CUSP FULLY RECESSED, WALL MOUNTED CUSPIDOR



- GENERAL NOTES:  
1. ALL DIMENSIONS ARE IN INCHES [MM].  
2. STOP VALVE NOT INCLUDED.

Murdock Mfg.™ warrants that its products are free from defects in material or workmanship under normal use and service for a period of one year from date of shipment. Murdock's liability under this warranty shall be discharged solely by replacement or repair of defective material, provided Murdock™ is notified in writing within one year from date of shipment, F.O.B. Industry, California.

|  |  |                |  |
|--|--|----------------|--|
| SELECTION SUMMARY & APPROVAL FOR MANUFACTURING | Model Number & Options _____                 | Quantity _____ | All dimensions are subject to manufactures tolerance of plus or minus 1/8" nominal and subject to change without notice. Murdock assumes no responsibility for use of void or superseded data. Dimensions may change with the addition of optional accessories. Murdock Mfg.™, Member of Morris Group International™. Please visit <a href="http://www.murdockmfg.com">www.murdockmfg.com</a> for most current specifications. |
|  | Company _____                                |                |  |
|  | Contact _____                                | Title _____    |  |
|  | Signature (Approval for Manufacturing) _____ | Date _____     |  |

MURDOCK MFG. • 15125 Proctor Avenue • City of Industry, CA 91746 USA  
Phone 800-453-7465 or 626-333-2543 • Fax 626-855-4860 • [www.murdockmfg.com](http://www.murdockmfg.com)

Member of  
MORRIS GROUP  
INTERNATIONAL