



# BOTTLE FILLER

## BF2 Series MODEL A000000-BF2 SENSOR OPERATED BOTTLE FILLER

### STANDARD FEATURES

- 115v Plug-in Transformer
- 100 mesh inlet strainer
- Laminar Flow Water Supply
- Hands Free Sensor Operation
- 1 G.P.M. Fill Rate
- 100% Lead & Brass Free

### SUGGESTED SPECIFICATIONS

Model BF2 is a 9 volt sensor operated bottle filler designed to be used with an Acorn A171 or A111 Series Barrier-Free Water Cooler. When installed properly, the bottle filler complies with ADA forward reach requirements. Cabinet shall be Granite powder coated on galvanized or stainless steel. Unit is certified to ANSI A117.1, Public Law 111-380 (NO-LEAD), CHSC 116875 and NSF/ANSI 61, Section 9.



Model BF2S-BCD Shown  
\*\*U.S. DESIGN PATENT PENDING

**"INDOOR USE ONLY"**

### MODEL:

(Must Specify)

- BF2 Granite Powder Coat Galvanized Steel (Std)
- BF2S 18 Gage 304 Stainless Steel

### OPTIONS

(additional costs may be incurred)

- BAT Battery Operated (N/A With Bottle Counter)
- BCD Bottle Counter Display
- WF1 1500 gallon capacity, NSF 42+53, 1 micron lead reduction filter



Member of  
U.S. Green  
Building  
Council



Recyclable  
Product



Water  
Conserving  
Product

Please visit [www.murdockmfg.com](http://www.murdockmfg.com)  
for most current specifications.

Complies  
with the  
following  
standards:



Federal  
Public Law  
111-380  
(No Lead)



**MURDOCK MFG.** • 15125 Proctor Avenue • City of Industry, CA 91746 USA  
Phone 800-453-7465 or 626-333-2543 • Fax 626-855-4860 • [www.murdockmfg.com](http://www.murdockmfg.com)

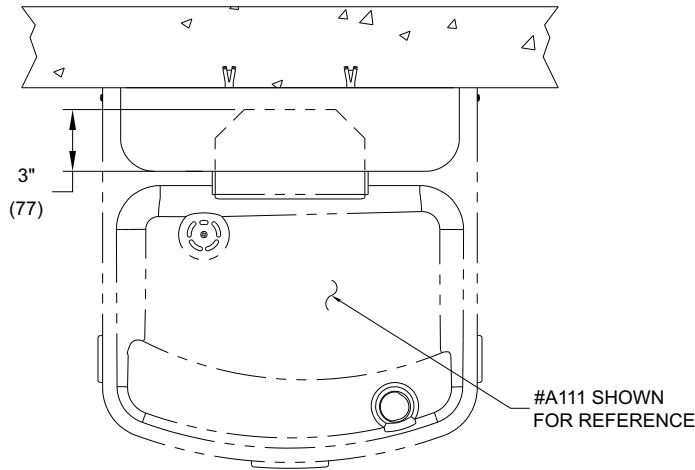
Member of  
**MORRIS GROUP**  
INTERNATIONAL



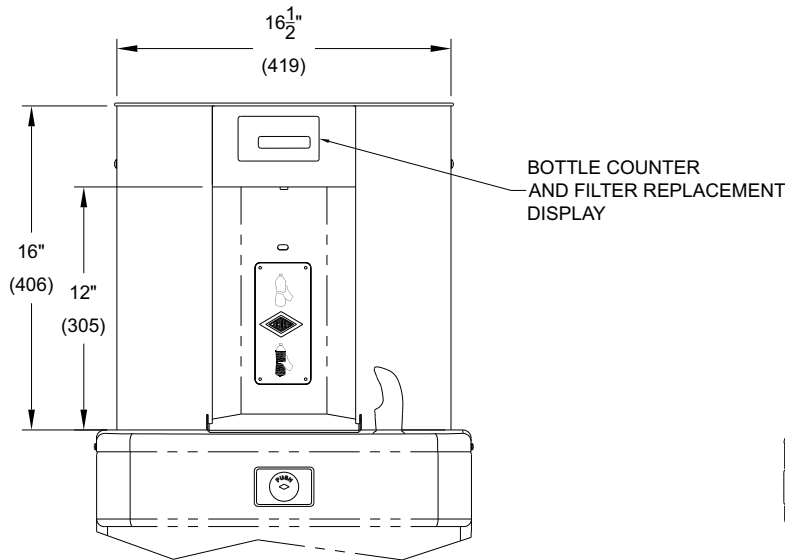
# BOTTLE FILLER

All dimensions are subject to manufactures tolerance of plus or minus 1/8" nominal and subject to change without notice. Murdock Mfg. assumes no responsibility for use of void or superseded data. Dimensions may change with the addition of optional accessories. Murdock Mfg.™, Member of Morris Group International™. Please visit [www.Murdockmfg.com](http://www.Murdockmfg.com) for most current specifications.

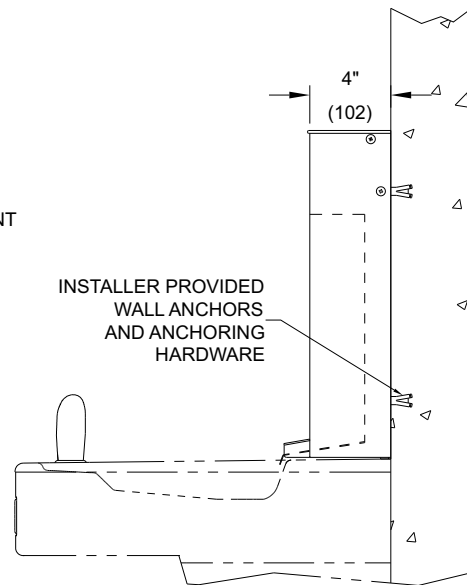
## BF2 Series MODEL A000000-BF2 SENSOR OPERATED BOTTLE FILLER



TOP VIEW



FRONT VIEW



SIDE VIEW

**GENERAL NOTES:**

1. ALL DIMENSIONS ARE IN INCHES (MM).

Murdock Mfg.™ warrants that its products are free from defects in material or workmanship under normal use and service for a period of one year from date of shipment. Murdock's liability under this warranty shall be discharged solely by replacement or repair of defective material, provided Murdock™ is notified in writing within one year from date of shipment, F.O.B. Industry, California.

<b>SELECTION SUMMARY &amp; APPROVAL FOR MANUFACTURING</b>	Model Number & Options _____	Quantity _____	All dimensions are subject to manufactures tolerance of plus or minus 1/8" nominal and subject to change without notice. Murdock assumes no responsibility for use of void or superseded data. Dimensions may change with the addition of optional accessories. Murdock Mfg.™, Member of Morris Group International™. Please visit <a href="http://www.murdockmfg.com">www.murdockmfg.com</a> for most current specifications.
	Company _____		
	Contact _____	Title _____	
	Signature (Approval for Manufacturing) _____		
	Date _____		

**MURDOCK MFG.** • 15125 Proctor Avenue • City of Industry, CA 91746 USA  
Phone 800-453-7465 or 626-333-2543 • Fax 626-855-4860 • [www.murdockmfg.com](http://www.murdockmfg.com)

