



# BOTTLE FILLER

## BF4 Series

### MODEL A000000-BF4

SEMI-RECESSED SENSOR OPERATED BOTTLE FILLER

#### STANDARD FEATURES

- 100 mesh inlet strainer
- Laminar Flow Water Supply
- 1 G.P.M. Fill Rate
- Lead Free
- Hinged Door
- Key Latch
- Meets ADA Forward and Side Reach Requirements
- Ligature-Resistant Design
- Vandal-Resistant Design

#### SUGGESTED SPECIFICATIONS

Model A000000-BF4 is a Semi-Recessed sensor operated bottle filler. Bottle Filler can be mounted in a 4" or larger wall space for simple installation virtually anywhere. Housing has a slim and trim look that blends into your environment. Unit also has a strong, ligature resistant, and vandal-resistant design for years of trouble-free service. When installed properly, the bottle filler complies with ADA forward and side reach requirements. Bottle filler is fabricated of type 304 stainless steel polished to a satin finish. Bottle filler is fabricated of type 304 stainless steel polished to a satin finish. Unit is certified to ANSI A117.1, Public Law 111-380 (NO-LEAD), CHSC 116875 and NSF/ANSI 61, Section 9.



Model BF4 Shown

"INDOOR USE ONLY"

#### MODEL:

(Must Specify)

- BF4 18 Gage 304 Stainless Steel

#### OPTIONS

(additional costs may be incurred)

- BAT Battery Operated (N/A With Bottle Counter)
- BCD Bottle Counter Display
- CG1 Custom Graphics
- EG Enviro-Glaze  
Specify Color: \_\_\_\_\_
- WF1 1500 gallon capacity, NSF 42+53, 1 micron lead reduction water filter



Member of U.S. Green Building Council



Recyclable Product



Water Conserving Product

Please visit [www.murdockmfg.com](http://www.murdockmfg.com) for most current specifications.

Complies with the following standards:



Federal Public Law 111-380 (No Lead)



MURDOCK MFG. • 15125 Proctor Avenue • City of Industry, CA 91746 USA  
Phone 800-453-7465 or 626-333-2543 • Fax 626-855-4860 • [www.murdockmfg.com](http://www.murdockmfg.com)

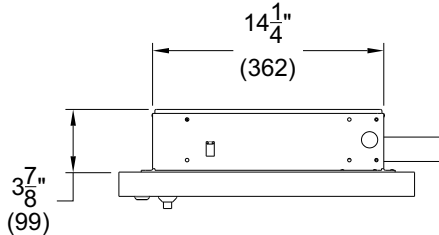
Member of MORRIS GROUP INTERNATIONAL



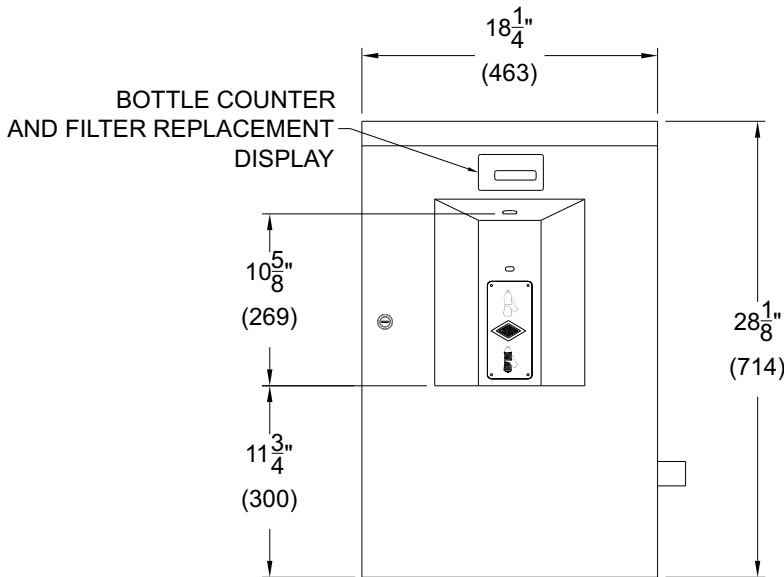
# BOTTLE FILLER

All dimensions are subject to manufactures tolerance of plus or minus 1/8" nominal and subject to change without notice. Murdock Mfg. assumes no responsibility for use of void or superseded data. Dimensions may change with the addition of optional accessories. Murdock Mfg.™, Member of Morris Group International™. Please visit [www.Murdockmfg.com](http://www.Murdockmfg.com) for most current specifications.

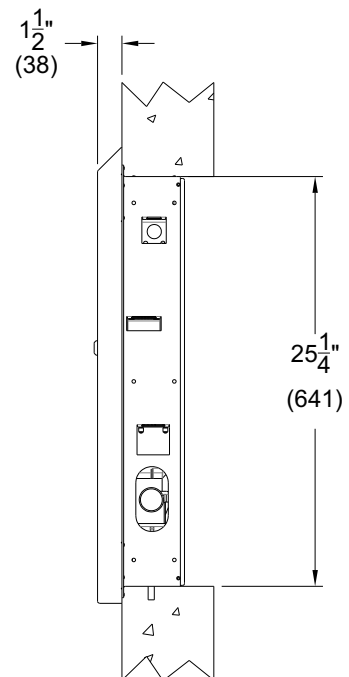
## BF4 Series MODEL A000000-BF4 SEMI-RECESSED SENSOR OPERATED BOTTLE FILLER



TOP VIEW



FRONT VIEW



SIDE VIEW

- GENERAL NOTES:  
1. ALL DIMENSIONS ARE IN INCHES (MM).

Murdock Mfg.™ warrants that its products are free from defects in material or workmanship under normal use and service for a period of one year from date of shipment. Murdock's liability under this warranty shall be discharged solely by replacement or repair of defective material, provided Murdock™ is notified in writing within one year from date of shipment, F.O.B. Industry, California.

|  |  |                |  |
|--|--|----------------|--|
| SELECTION SUMMARY & APPROVAL FOR MANUFACTURING | Model Number & Options _____                 | Quantity _____ | All dimensions are subject to manufactures tolerance of plus or minus 1/8" nominal and subject to change without notice. Murdock assumes no responsibility for use of void or superseded data. Dimensions may change with the addition of optional accessories. Murdock Mfg.™, Member of Morris Group International™. Please visit <a href="http://www.murdockmfg.com">www.murdockmfg.com</a> for most current specifications. |
|  | Company _____                                |                |  |
|  | Contact _____                                | Title _____    |  |
|  | Signature (Approval for Manufacturing) _____ | Date _____     |  |