



DRINKING FOUNTAIN

A172UBL Series

MODEL A172100F-UBL-BF1
BARRIER FREE, WALL MOUNTED
UNIVERSAL BI-LEVEL WITH -BF1 PUSHBUTTON
OPERATED BOTTLE FILLER

STANDARD FEATURES

- Child or Adult ADA Compliant (when properly installed)
- Universal Bi-Level -Can be installed left high or right high with no additional parts
- Granite powder coated apron and one-piece bottom wrapper
- Flexible, Low Flow, anti-rotation, non-squirt bubbler
- 100 mesh inlet strainer
- Vandal resistant screws
- Hanging bracket provided
- Auto-stop allows service of cartridge and strainer without shutting off water supply
- Laminar Flow Water Supply
- 1 G.P.M. Fill Rate
- 100% Lead & Brass Free

SUGGESTED SPECIFICATIONS

Model A172100F-UBL-BF1 is a self-contained, vandal resistant bi-level drinking fountain. Units shall be activated from a pushbutton in the front, using less than 5 pounds of force. Bubblers shall deliver a 0.3 GPM flow, have a flexible guard with an integrally designed non-squirt feature and operate on a water pressure range of 20-105 psig. Basins shall be constructed from 304 stainless steel and have an integral drain. Unit includes model BF1 pushbutton operated bottle filler. Drinking fountain and bottle filler cabinets shall be either galvanized steel with granite powder coat or stainless steel. Unit is certified to ANSI A117.1, Public Law 111-380 (NO-LEAD), CHSC 116875 and NSF/ANSI 61, Section 9. Fixture meets ADA, ADA Standing Person, and ADA Child requirements when mounted appropriately.



Model A172100F-UBL-BF1 Shown
** U.S. DESIGN PATENT PENDING



"INDOOR USE ONLY"

MODEL:

(Must Specify)

FLEXIBLE BUBBLER

- A172100F-UBL-BF1 Granite Finish (Shown)
- A172400F-UBL-BF1S Satin Stainless Finish

LEAD-FREE STAINLESS STEEL BUBBLER

- A172100S-UBL-BF1 Granite Finish
- A172400S-UBL-BF1S Satin Stainless Finish

OPTIONS

(additional costs may be incurred)

- CSC3 Concealed support carrier
- GF1 Glass filler with lever handle
- SK5 Skirt kit for upper unit
- WF1 1500 gallon capacity, NSF 42+53, 1 micron lead reduction filter



Member of
U.S. Green
Building
Council



Recyclable
Product



Water
Conserving
Product

Please visit www.murdockmfg.com
for most current specifications.

Complies
with the
following
standards:



Test rating conditions are
compliant with ARI 1010.



MURDOCK MFG. • 15125 Proctor Avenue • City of Industry, CA 91746 USA
Phone 800-453-7465 or 626-333-2543 • Fax 626-855-4860 • www.murdockmfg.com

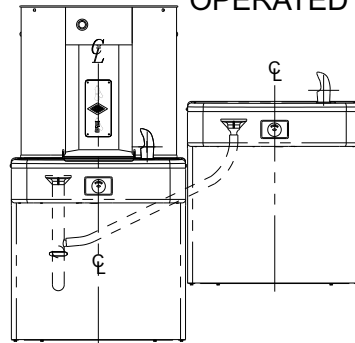
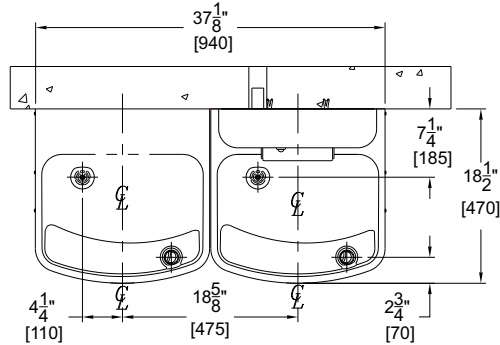
Member of
MORRIS GROUP
INTERNATIONAL



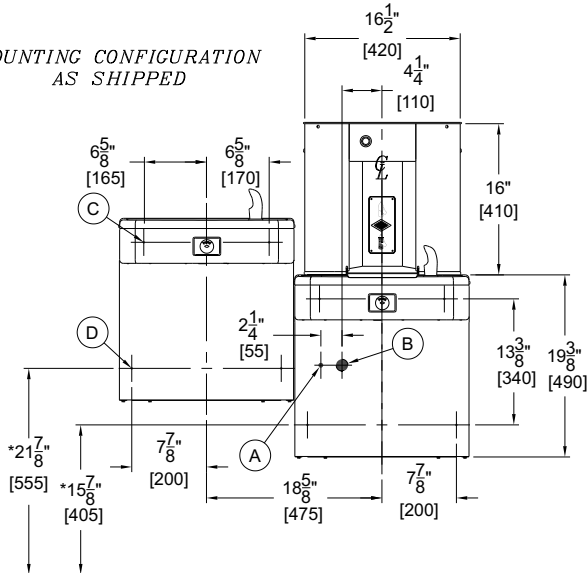
DRINKING FOUNTAIN

All dimensions are subject to manufactures tolerance of plus or minus 1/8" nominal and subject to change without notice. Murdock Mfg. assumes no responsibility for use of void or superseded data. Dimensions may change with the addition of optional accessories. Murdock Mfg.™, Member of Morris Group International™. Please visit www.Murdockmfg.com for most current specifications.

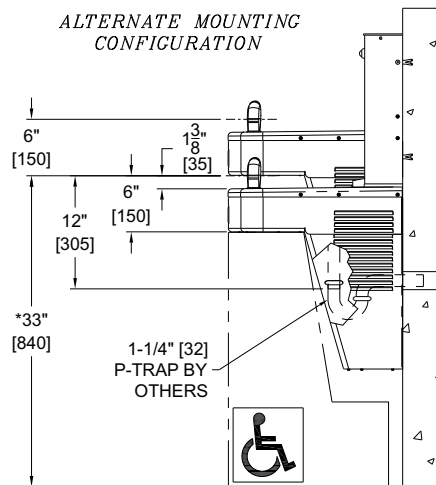
A172UBL Series MODEL A172100F-UBL-BF1 BARRIER FREE, WALL MOUNTED BI-LEVEL WITH -BF1 PUSHBUTTON OPERATED BOTTLE FILLER



MOUNTING CONFIGURATION AS SHIPPED



ALTERNATE MOUNTING CONFIGURATION



GENERAL NOTES:

1. ALL DIMENSIONS ARE IN INCHES [MM]
2. ALLOW 4 INCHES [102 MM] MINIMUM CLEARANCE PER SIDE FOR VENTILATION
- *3. DIMENSIONS SHOWN ARE FOR RECOMMENDED ADULT HEIGHT. ADJUST VERTICAL DIMENSIONS AS NECESSARY TO COMPLY WITH FEDERAL, STATE, & LOCAL CODES
4. STOP VALVE & P-TRAP NOT SUPPLIED
5. IMPORTANT: UNITS MUST BE ATTACHED TO WALL WITH APPROPRIATE WALL ANCHOR SCREWS

- A. 3/8" NCT SUPPLY INLET
- B. WASTE OUTLET FOR 1-1/4" P-TRAP BY OTHERS
- C. Ø3/8" HANGER BRACKET PUNCHING, 3 PLACES FOR ANCHORING HARDWARE BY OTHERS
- D. Ø1/4" PUNCHING, 2 PLACES FOR ANCHORING HARDWARE BY OTHERS

Murdock Mfg.™ warrants that its products are free from defects in material or workmanship under normal use and service for a period of one year from date of shipment. Murdock's liability under this warranty shall be discharged solely by replacement or repair of defective material, provided Murdock™ is notified in writing within one year from date of shipment, F.O.B. Industry, California.

SELECTION SUMMARY & APPROVAL FOR MANUFACTURING	Model Number & Options _____	Quantity _____	All dimensions are subject to manufactures tolerance of plus or minus 1/8" nominal and subject to change without notice. Murdock assumes no responsibility for use of void or superseded data. Dimensions may change with the addition of optional accessories. Murdock Mfg.™, Member of Morris Group International™. Please visit www.murdockmfg.com for most current specifications.
	Company _____		
	Contact _____	Title _____	
	Signature (Approval for Manufacturing) _____	Date _____	