



WATER COOLERS

A172.8UBLVR Series MODEL A172408S-UBL-VR-BF2S

BARRIER FREE, VANDAL RESISTANCE
BUTTON, UNIVERSAL BI-LEVEL, WALL
MOUNTED WATER COOLER WITH -BF2S
SENSOR OPERATED BOTTLE FILLER

STANDARD FEATURES

- Child or Adult ADA Compliant (when properly installed)
- Universal Bi-Level -Can be installed left unit high, right unit low or opposite with no additional parts required.
- 304 stainless steel basin and flush mounted chrome plated brass button
- Polished stainless steel, anti-rotation, non-squirt bubblers
- 100 mesh inlet strainer
- Vandal resistant screws and screened louvers
- Individual hanging brackets provided
- Auto-stop allows cartridge and strainer service without shutting off water supply
- Laminar Flow Water Supply
- 1 G.P.M. Fill Rate
- 100% Lead & Brass Free

SUGGESTED SPECIFICATIONS

Model A172408S-UBL-VR-BF2S is a bi-level, self-contained, enhanced vandal resistant pressure water cooler that shall deliver a minimum of **8.0 GPH** (30.3 LPH) of water at 50°F (10°C) cooled from 80°F (26.7°C) inlet water and 90° (32.2°C) ambient. Units shall be activated by chrome plated brass front pushbuttons by using less than 5 pounds of force. Bubblers shall be Lead-Free Stainless Steel with an integrally designed non-squirt feature and operate on a water pressure range of 20-105 psig. Tops shall be constructed from 304 Stainless steel and have an integral drain. Unit includes model BF2S sensor operated bottle filler. Drinking fountain and bottle filler cabinets shall be stainless steel. Cooling system shall use R-134a refrigerant and be capillary tube controlled. An adjustable thermostat with an off position shall control the refrigeration system. Unit is certified to ANSI A117.1 and NSF/ANSI 61, Section 9 requirements and Public Law 111-380. Fixture meets ADA, ADA Standing Person, and ADA Child requirements when mounted appropriately. Unit shall be listed by Underwriters Laboratories for both the US and Canada, compliant to the Air Conditioning and Refrigeration Institute Standard 1010.

Model Number	GPH*	Rated Watts	Full Load Amps	Approx. Shipping Weight
A172408S-UBL-VR-BF2S	8.0	335	4.4	120 lbs.

* GPH of 50°F water at 90°F ambient room temperature and 80°F inlet water temperature
Compressor motor operates on 115 Volt / 60 Hz single phase.



Member of
U.S. Green
Building
Council



Recyclable
Product



Water
Conserving
Product

"INDOOR USE ONLY"



Maintenance Advantage™
Water Cooler by Murdock Manufacturing

Model A172408S-UBL-VR-BF2S-BCD Shown

MODEL:

(Must Specify)

- A172408S-UBL-VR-BF2S Satin Stainless Finish

OPTIONS

(additional costs may be incurred)

- CSC3 Concealed support carrier
- SK5 Skirt kit for upper unit
- WB3 Wall bezel, left unit high, right unit low
- WB4 Wall bezel, right unit high, left unit low
- WF1 1500 gallon capacity, NSF 42+53, 1 micron lead reduction filter
- 220V 220 volt / 50 Hz compressor

BOTTLE FILLER OPTIONS

- BAT Battery Operated (N/A With Bottle Counter)
- BCD Bottle Counter Display

Please visit www.murdockmfg.com
for most current specifications.

Complies with the following standards:



NSF/ANSI 61



Water Efficiency



Federal Public Law 111-380 (No Lead)



(220V Compressor Only)



Test rating conditions are compliant with ARI 1010.

MURDOCK MFG. • 15125 Proctor Avenue • City of Industry, CA 91746 USA
Phone 800-453-7465 or 626-333-2543 • Fax 626-855-4860 • www.murdockmfg.com

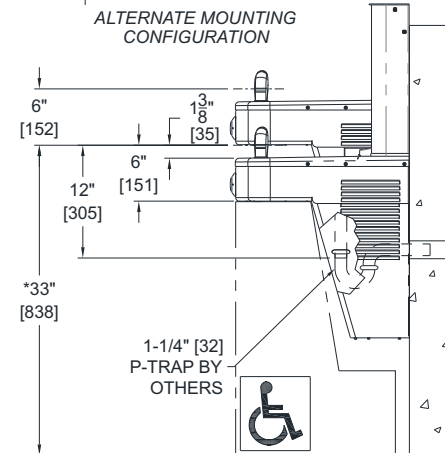
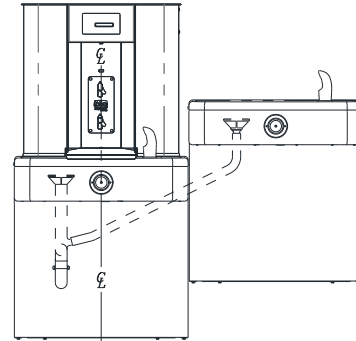
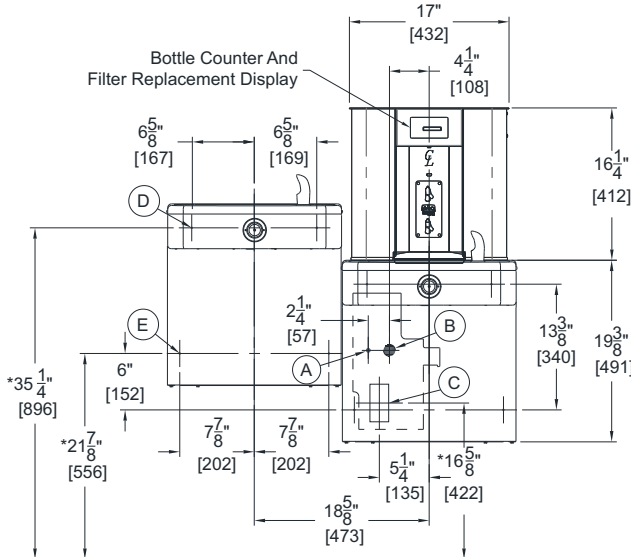
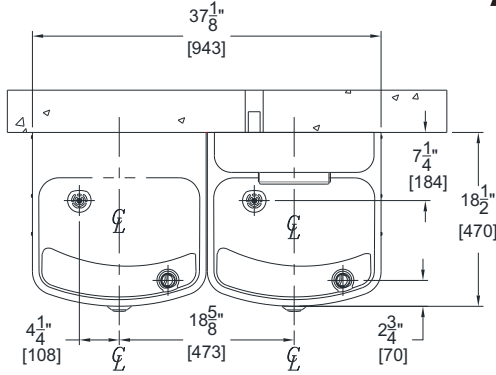
Member of
MORRIS GROUP
INTERNATIONAL



WATER COOLERS

All dimensions are subject to manufactures tolerance of plus or minus 1/8" nominal and subject to change without notice. Murdock Mfg. assumes no responsibility for use of void or superseded data. Dimensions may change with the addition of optional accessories. Murdock Mfg.™, Member of Morris Group International™. Please visit www.Murdockmfg.com for most current specifications.

A172.8UBLVR Series MODEL A172408S-UBL-VR-BF2S BARRIER FREE, VANDAL RESISTANCE BUTTON, UNIVERSAL BI-LEVEL, WALL MOUNTED WATER COOLER WITH -BF2S SENSOR OPERATED BOTTLE FILLER



GENERAL NOTES:

1. ALL DIMENSIONS ARE IN INCHES [MM]
2. ALLOW 4 INCHES [102 MM] MINIMUM CLEARANCE PER SIDE FOR VENTILATION
- *3. DIMENSIONS SHOWN ARE FOR RECOMMENDED ADULT HEIGHT. ADJUST VERTICAL DIMENSIONS AS NECESSARY TO COMPLY WITH FEDERAL, STATE, & LOCAL CODES.
4. STOP VALVE, P-TRAP, & ELECTRICAL OUTLET NOT SUPPLIED.
5. IMPORTANT: COOLERS MUST BE ATTACHED TO WALL WITH APPROPRIATE WALL ANCHOR SCREWS.

- A. 3/8" NCT SUPPLY INLET
- B. WASTE OUTLET FOR 1-1/4" P-TRAP BY OTHERS.
- C. ELECTRICAL SERVICE ROUGH.
- D. Ø3/8" HANGER BRACKET PUNCHING, 3 PLACES FOR ANCHORING HARDWARE BY OTHERS.
- E. Ø1/4" PUNCHING, 2 PLACES FOR ANCHORING HARDWARE BY OTHERS.

MOUNTING CONFIGURATION
AS SHIPPED

Murdock Mfg.™ warrants that its products are free from defects in material or workmanship under normal use and service for a period of one year from date of shipment. Murdock's liability under this warranty shall be discharged solely by replacement or repair of defective material, provided Murdock™ is notified in writing within one year from date of shipment, F.O.B. Industry, California.

**SELECTION SUMMARY
& APPROVAL FOR
MANUFACTURING**

Model Number & Options _____ Quantity _____

Company _____

Contact _____ Title _____

Signature (Approval for Manufacturing) _____ Date _____

All dimensions are subject to manufactures tolerance of plus or minus 1/8" nominal and subject to change without notice. Murdock assumes no responsibility for use of void or superseded data. Dimensions may change with the addition of optional accessories. Murdock Mfg.™, Member of Morris Group International™. Please visit www.murdockmfg.com for most current specifications.