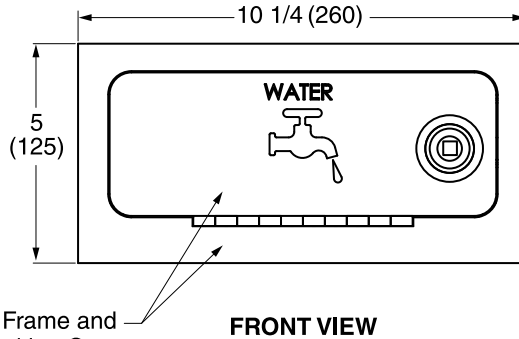
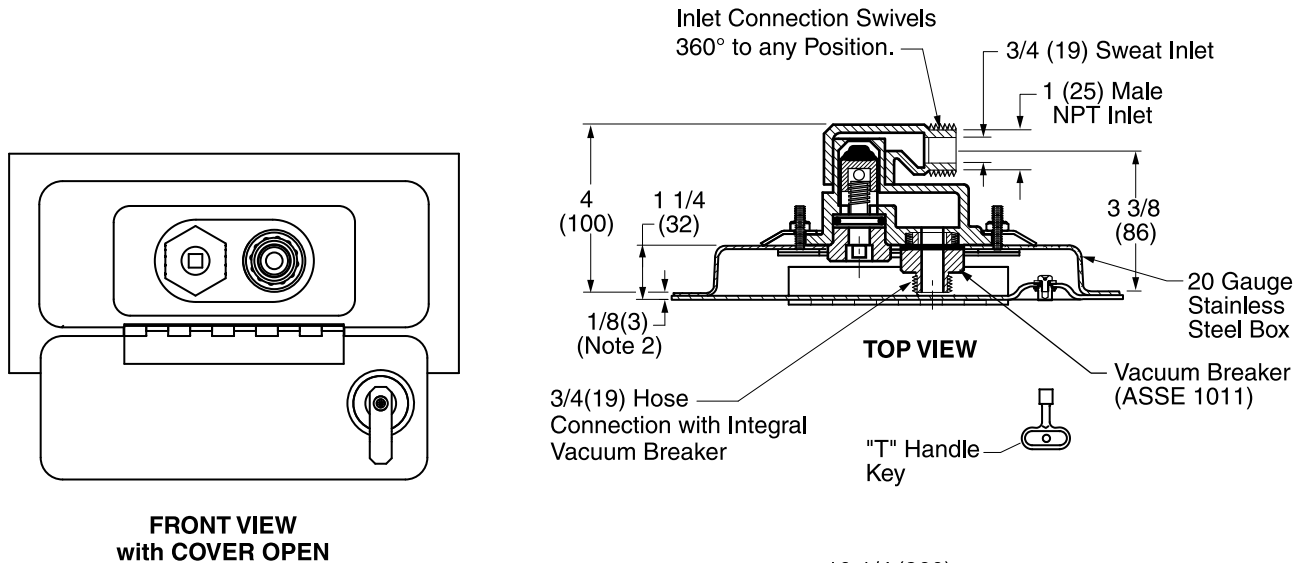




HYDRANTS

NARROW WALL WARM CLIMATE HYDRANT BOX TYPE WITH CONCEALED HOSE CONNECTION

FUNCTION: For installation in interior or exterior wall of building where a concealed hose connection is desired and there is no danger of freezing. Hydrant features an integral type vacuum breaker. The locking cover prevents unauthorized use.



NOTES:

1. Recommended wall opening is 3 3/16 (83) x 8 1/2 (215).
2. Add 3/8 (10) when optional box face material is specified.
3. All hydrants are manufactured with "NO LEAD" brazing rings and USDA approved lubricants.
4. Dimensions shown in parentheses are in millimeters.
5. The AB1953, California Lead Law, and NSF/ANSI Standard 61-2008 - Drinking Water System Components are not applicable to hydrants as they do not convey/dispense water for human consumption through drinking or cooking.
6. FOR IRRIGATION PURPOSE ONLY

REGULARLY FURNISHED:

All Bronze Warm Climate Hydrant with Chrome Plated Face, Hose Connection having Integral ASSE 1011 Vacuum Breaker, 360 Swivel Inlet Connection, "T" Handle Key and Stainless Steel Box.

FIG. M-3518

VARIATIONS:

□ Cylinder Lock -CL

OPTIONAL MATERIALS:

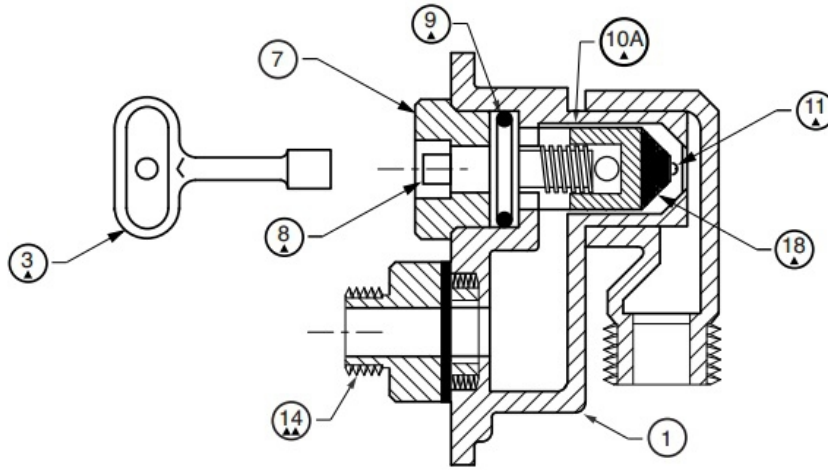
□ Polished Bronze Box Face -PB
 □ Nickel Bronze Box Face -NB
 □ Rough Bronze Box Face -RB

A small amount of water seepage may occur from the vacuum breaker and operating screw upon initial opening and closing of the hydrant. This is normal operation.

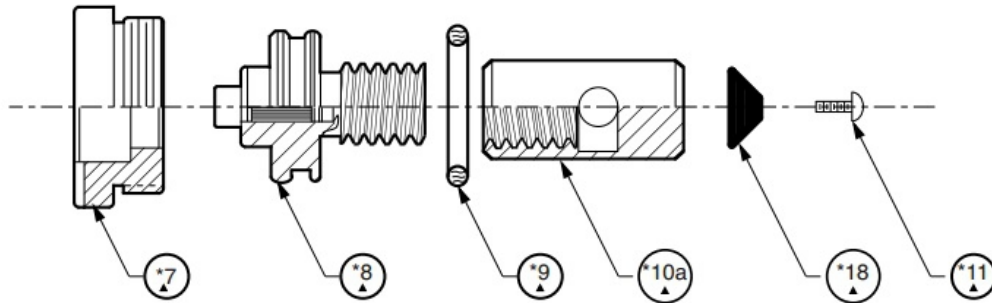
Please visit www.murdockmfg.com for most current specifications.



HYDRANTS



▲▲ THESE REPLACEMENT PARTS AVAILABLE IN HPRK-18VB



▲ THESE REPLACEMENT PARTS AVAILABLE IN HPRK-18

MAINTENANCE INSTRUCTIONS:

1. Shut off water supply.
2. Remove face nut.
3. Pull stem out for complete access to all working parts.
4. Check all working parts for replacement.
5. Replace complete stem assembly and face nut.

HYDRANT PARTS LIST			
No.	Description	No.	Description
1	Head/Casing Assembly	10a	Coupling
3	Key	11	Washer Screw
7	Face Nut	14	Vacuum Breaker
8	Operating Screw	18	Plunger Washer
9	Operating Screw "O" Ring		

* These Parts are accessible from face of hydrant by removing face nut.

ONE YEAR LIMITED WARRANTY - Parts are warranted for one (1) year from date of shipment.

SELECTION SUMMARY & APPROVAL FOR MANUFACTURING	
<small>All dimensions are subject to manufactures tolerance of plus or minus 1/2" nominal and subject to change without notice. Murdock Mfg. assumes no responsibility for use of void or superseded data. Dimensions may change with the addition of optional accessories. Murdock Mfg.™, Member of Morris Group International™. Please visit www.Murdockmfg.com for most current specifications.</small>	Model Numbers & Options _____ Quantity _____ Company _____ Date _____ Contact _____ Title _____ Approval for Manufacturing/Signature _____