



HYDRANTS

Post Hydrant

MODEL M-E75

3/4" FREEZE RESISTANT,
ECONO POST HYDRANT

STANDARD FEATURES

Model M-E75 delivers year-round service outside or in unheated buildings. To provide freeze resistant functionality, the control valve is located below the frost line. Turning the handle raises or lowers the internal supply-line assembly, controlling the valve. Constructed of heavy lead-free brass, premium-quality gray iron and steel, the M-E75 is designed for trouble-free reliability and easy maintenance.

SUGGESTED SPECIFICATIONS

Hydrant shall be Murdock-Super Secur model M-E75. Unit shall be capable of year-round use in freezing weather.

Unit shall extend below grade level so that centerline of supply inlet is positioned at or below frost line. Inlet shall have 3/4" NPT female connection.

Water shall be gravity-evacuated from inner supply column when valve is shut off.

Valve shall be turn-handle operated. Handle shall be fabricated of one-piece iron casting finished with a heavy grade of oil-based green enamel. Stock, top, and base shall be fabricated of heavy, one-piece iron castings finished with a heavy grade of oil-based green enamel.

Inner supply assembly shall incorporate solid-brass castings. All solid brass castings shall conform to ASTM standards B61 and B62. Lead-free castings are used in all waterways.

Outer casing shall be black iron pipe, finished with a heavy grade of oil-based green enamel.

Hydrant shall consist of internal supply line and a surrounding outer casing pipe for protection of waterway.

Nozzle shall be solid brass casting, threaded for 3/4" NPS hose connection.



Standard Model: M-E75

DEPTH OF BURY *(additional costs may be incurred)*

- 2 ft. (61 cm)
- 3 ft. (91.4 cm)
- 4 ft. (121.9 cm)
- 5 ft. (152.4 cm)
- 6 ft. (182.9 cm)
- Other _____

OPTIONS *(additional costs may be incurred)*

- BFH Double ball check valve and vacuum breaker*
- VB Vacuum breaker
- LC1 Locking cover, less padlock*
- R01 Shut off valve with plate*
- Plain end spout
- Sewer drain connection

* See separate option sheets

Please visit www.murdock-supersecur.com for most current specifications.



Member of
U.S. Green
Building
Council

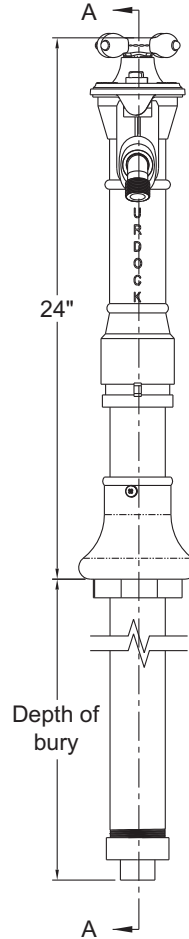
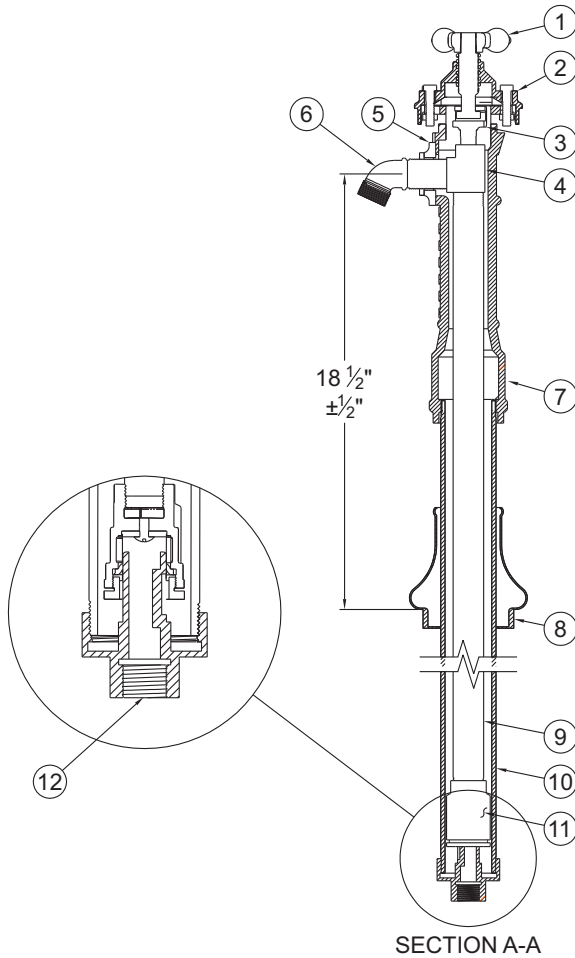


Recyclable
Product



HYDRANTS

Post Hydrant MODEL M-E75 3/4" FREEZE RESISTANT, ECONO POST HYDRANT



- | | | | |
|------------------|---------------------------------|---------------------|------------------------------------|
| ① Handle & screw | ④ Tee | ⑦ Stock | ⑩ Outer casing |
| ② Top | ⑤ Slide | ⑧ Base | ⑪ Valve |
| ③ Stirrup | ⑥ 3/4" Hose thread brass nozzle | ⑨ Inner supply pipe | ⑫ 3/4" female NPT brass connection |

ONE YEAR LIMITED WARRANTY - Parts are warranted for one (1) year from date of shipment.

SELECTION SUMMARY & APPROVAL FOR MANUFACTURING

All dimensions are nominal and subject to manufacturer's change without notice.
Murdock-Super Secur assumes no responsibility for use of void or suspended data.
© Copyright 2009, Murdock-Super Secur, a division of Acorn Engineering Company.
Please visit www.murdock-supersecur.com for most current specifications.

Model Numbers & Options _____ Quantity _____
Company _____ Date _____
Contact _____ Title _____
Approval for Manufacturing/Signature _____