



RESTROOM FIXTURES

1042

MURDOCK-SUPER SECUR RESTROOM FIXTURE

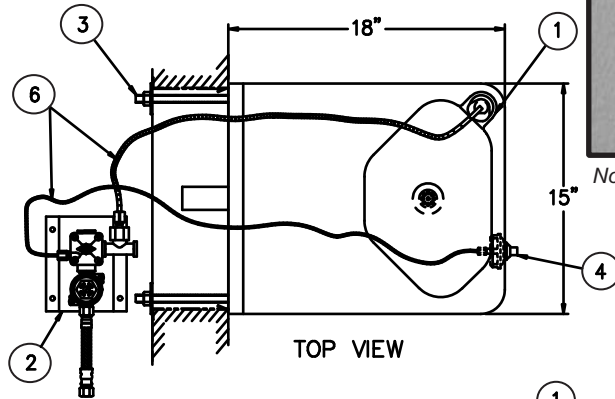
MODEL # 1042

DRINKING FOUNTAIN

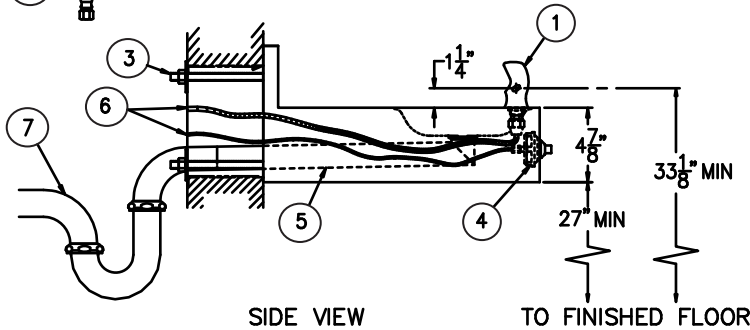
ITEM	DESCRIPTION	QTY
1	CODE BUBBLER ASSY	1
2	AIR CONTROL VALVE	1
3	MOUNTING HARDWARE	1
4	PUSHBUTTON ASSY	1
5	WASTE ASSY (ELBOW & OUTLET TUBE)	1
6	1/4" OD & 1/8" OD TUBING	1
7	1-1/2" OD TUBING P-TRAP	1



Note: Fixture may show some available options

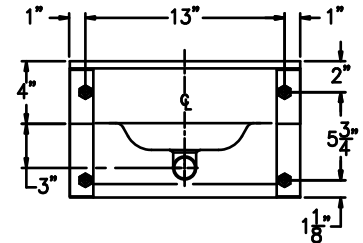


TOP VIEW



SIDE VIEW

TO FINISHED FLOOR



REAR VIEW

ADA HIGH-LOW DRINKING FOUNTAIN
MOUNT LOW DRINKING FOUNTAIN WITH
MINIMUM 27" HIGH KNEE CLEARANCE AND
BUBBLER AT 36" MAXIMUM.
MOUNT HIGH DRINKING FOUNTAIN WITH
RIM AT 40" ABOVE FINISHED FLOOR.

TECHNICAL DATA:

Fixture is designed to be installed on a finished wall and serviced from an accessible pipe chase. Fixture is fabricated from 14 gage, type 304 stainless steel and is seamless welded construction. Exterior has a satin finish.

Drinking fountain valve is an Air-Control, pneumatically operated pushbutton valve using atmospheric air. Pushbutton is vandal-resistant and requires less than 5 pounds to activate valve. Valve includes a 0.7 GPM flow control and may be located up to 10 feet from the operating pushbutton. Stream from spout is less than 3" from front edge and is substantially parallel to front edge.

Fixture will meet ADA requirements for wheelchair users when installed with spout outlet less than 36" above floor and clearance under drinking fountain a minimum of 27" high. To meet ADA "High-Low" requirements, a second drinking fountain should be mounted with the rim at 40" above floor.

Regularly furnished items include installation hardware for walls up to 8" thick, grid strainer with thru wall waste and 1-1/2" tubular P-trap behind the wall.

MODEL NUMBER:

- 1042 Rear-Mounted Drinking Fountain

PRODUCT OPTIONS:

- EG Enviro-Glaze (for color selection see flier)

SELECTION SUMMARY & APPROVAL FOR MANUFACTURING

All dimensions are nominal and subject to manufacturer's change without notice. Murdock-Super Secur assumes no responsibility for use of void or suspended data. © Copyright 2006, Murdock-Super Secur, a division of Acorn Engineering Company. Please visit www.murdock-supersecur.com for most current specifications.

Model Numbers & Options _____ Quantity _____

Company _____ Date _____

Contact _____ Title _____

Approval for Manufacturing/Signature _____