



CONTEMPORARY DRINKING FOUNTAINS

GW Series

MODEL GWF55
PEDESTAL MOUNTED
DRINKING FOUNTAIN

STANDARD FEATURES

- Resistant to sunlight, heat, moisture and wear
- 18 gage, 304 stainless steel bowl
- Heavy 1-1/4" IPS steel pipe, powder coated
- Polished stainless steel, anti-rotation non-squirt bubbler with valve and lever handle



SUGGESTED SPECIFICATIONS

Model GWF55 is a pedestal mounted, round drinking fountain made from 18 gage, 304 stainless steel. Basin shall be mounted onto a green powder coated heavy duty steel pipe pedestal. Unit shall be activated by a self-closing lever operated valve unless a pushbutton bubbler option is selected. Bubbler shall be polished stainless steel with a non-squirt feature and operate on a water pressure range of 20-105 psig. Unit is certified to ANSI A117.1, NSF/ANSI 61, Section 9, Public Law 111-380 (No-Lead) and CHSC 116875.

MODEL:

(Must Specify)

LEAD-FREE STAINLESS STEEL w/ VALVE & LEVER HANDLE

- GWF54 Satin stainless finish
- GWF55 Green powder-coated (Shown)
- GWF56 Red powder-coated
- GWF57 Blue powder-coated

LEAD-FREE STAINLESS STEEL PUSHBUTTON BUBBLER

- GWF64 Satin stainless finish
- GWF65 Green powder-coated
- GWF66 Red powder-coated
- GWF67 Blue powder-coated

Custom color finishes available upon request

OPTIONS

(additional costs may be incurred)

- CH30 Child height, 30" Bubbler height



Member of
U.S. Green
Building
Council



Recyclable
Product



Water
Conserving
Product

Please visit www.murdockmfg.com
for most current specifications.

Complies
with the
following
standards:



MURDOCK MFG. • 15125 Proctor Avenue • City of Industry, CA 91746 USA
Phone 800-453-7465 or 626-333-2543 • Fax 626-855-4860 • www.murdockmfg.com

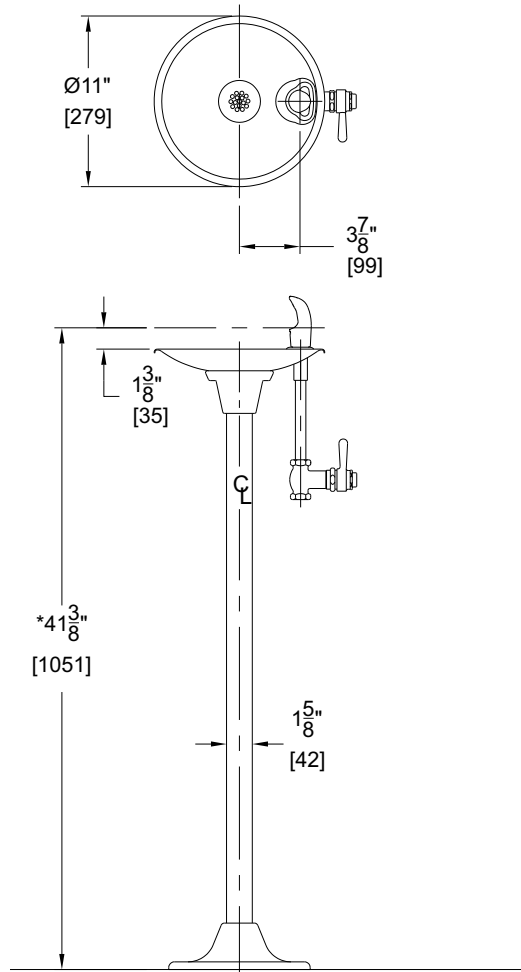
Member of
MORRIS GROUP
INTERNATIONAL



CONTEMPORARY DRINKING FOUNTAINS

All dimensions are subject to manufactures tolerance of plus or minus 1/8" nominal and subject to change without notice. Murdock Mfg. assumes no responsibility for use of void or superseded data. Dimensions may change with the addition of optional accessories. Murdock Mfg.™, Member of Morris Group International™. Please visit www.Murdockmfg.com for most current specifications.

GW Series MODEL GWF55 PEDESTAL MOUNTED DRINKING FOUNTAIN



GENERAL NOTES:

1. ALL DIMENSIONS ARE IN INCHES [MM].
- *2. STANDARD ADULT HEIGHT MODEL SHOWN. OPTIONAL -CH30 CHILD HEIGHT MODEL AVAILABLE.
3. STOP VALVE AND UNION NOT PROVIDED.

Murdock Mfg.™ warrants that its products are free from defects in material or workmanship under normal use and service for a period of one year from date of shipment. Murdock's liability under this warranty shall be discharged solely by replacement or repair of defective material, provided Murdock™ is notified in writing within one year from date of shipment, F.O.B. Industry, California.

SELECTION SUMMARY
& APPROVAL FOR
MANUFACTURING

Model Number & Options _____	Quantity _____
Company _____	
Contact _____	Title _____
Signature (Approval for Manufacturing) _____	Date _____

All dimensions are subject to manufactures tolerance of plus or minus 1/8" nominal and subject to change without notice. Murdock assumes no responsibility for use of void or superseded data. Dimensions may change with the addition of optional accessories. Murdock Mfg.™, Member of Morris Group International™. Please visit www.murdockmfg.com for most current specifications.

MURDOCK MFG. • 15125 Proctor Avenue • City of Industry, CA 91746 USA
Phone 800-453-7465 or 626-333-2543 • Fax 626-855-4860 • www.murdockmfg.com

Member of
MORRIS GROUP
INTERNATIONAL