



# CONTEMPORARY DRINKING FOUNTAINS

## GU Series

MODEL GUT19-PF

PET FOUNTAIN

### STANDARD FEATURES

- Resistant to sunlight, heat, moisture and wear
- 18 gage, 304 stainless steel bowl
- Reinforced concrete with aggregate finish
- Polished stainless steel, anti-rotation non-squirt bubbler
- 100 mesh inlet strainer



### SUGGESTED SPECIFICATIONS

Model GUT19-PF is an on-the-floor, outdoor pet fountain intended for wall mounting. The unit shall be made from an 18 gage, 304 stainless steel bowl mounted into a reinforced brown concrete aggregate receptor. Unit shall be activated by a side mounted, foot operated, self-closing button, and requiring less than 5 pounds of force to operate. Internally mounted valve includes an adjustable stream regulator controlling the water flow. Bubbler shall be polished stainless steel with a non-squirt feature and operate on water pressure range of 20-105 psig. Unit shall adhere to NSF/ANSI 61, Section 9, Public Law 111-380(NO-LEAD), and CHSC 116875.

### MODEL:

(Must Specify)

- GUT18-PF Tan Concrete Aggregate
- GUT19-PF Brown Concrete Aggregate (Shown)

### OPTIONS

(additional costs may be incurred)

- FRU1 Underground freeze resistant valve
- RFS Round free standing bowl



Member of  
U.S. Green  
Building  
Council



Recyclable  
Product



Water  
Conserving  
Product

Please visit [www.murdockmfg.com](http://www.murdockmfg.com)  
for most current specifications.

Complies  
with the  
following  
standards:



MURDOCK MFG. • 15125 Proctor Avenue • City of Industry, CA 91746 USA  
Phone 800-453-7465 or 626-333-2543 • Fax 626-855-4860 • [www.murdockmfg.com](http://www.murdockmfg.com)

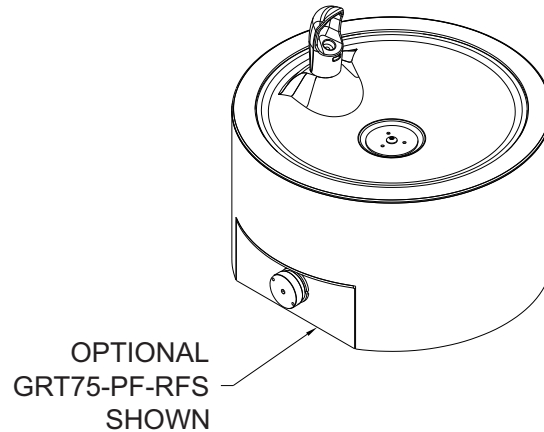
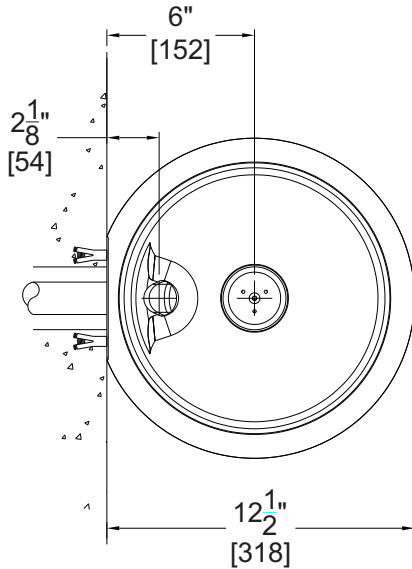
Member of  
MORRIS GROUP  
INTERNATIONAL



# CONTEMPORARY DRINKING FOUNTAINS

All dimensions are subject to manufactures tolerance of plus or minus 1/8" nominal and subject to change without notice. Murdock Mfg. assumes no responsibility for use of void or superseded data. Dimensions may change with the addition of optional accessories. Murdock Mfg.™, Member of Morris Group International™. Please visit [www.Murdockmfg.com](http://www.Murdockmfg.com) for most current specifications.

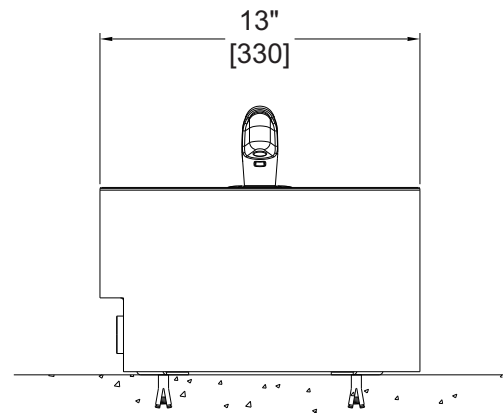
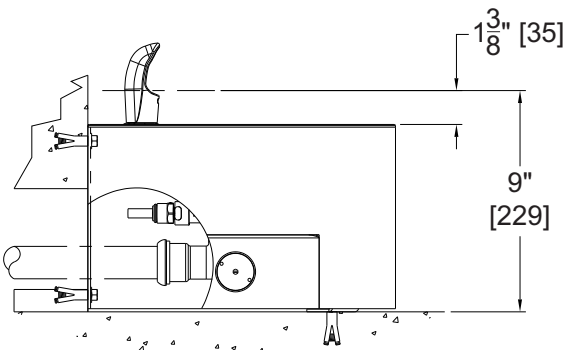
## GU Series MODEL GUT19-PF PET FOUNTAIN



### GENERAL NOTES:

1. ALL DIMENSIONS ARE IN INCHES [MM].
2. STOP VALVE NOT PROVIDED.

\* Valve specifications:  
Minimum/Maximum Pressure  
30 to 100 psi.



Murdock Mfg.™ warrants that its products are free from defects in material or workmanship under normal use and service for a period of one year from date of shipment. Murdock's liability under this warranty shall be discharged solely by replacement or repair of defective material, provided Murdock™ is notified in writing within one year from date of shipment, F.O.B. Industry, California.

SELECTION SUMMARY & APPROVAL FOR MANUFACTURING

Model Number & Options _____	Quantity _____
Company _____	
Contact _____	Title _____
Signature (Approval for Manufacturing) _____	Date _____

All dimensions are subject to manufactures tolerance of plus or minus 1/8" nominal and subject to change without notice. Murdock assumes no responsibility for use of void or superseded data. Dimensions may change with the addition of optional accessories. Murdock Mfg.™, Member of Morris Group International™. Please visit [www.murdockmfg.com](http://www.murdockmfg.com) for most current specifications.