



# RESTROOM ACCESSORIES

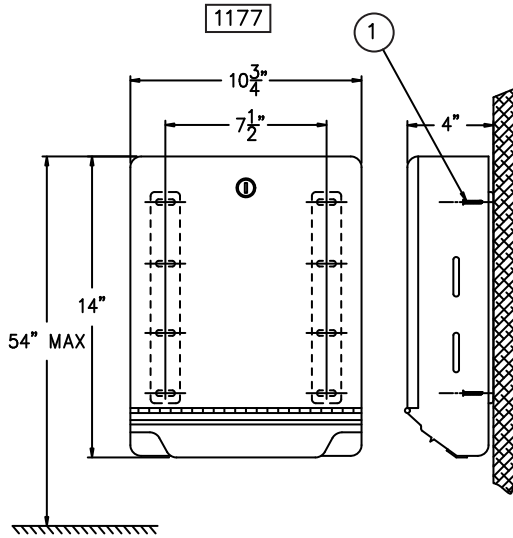
1177

**MURDOCK-  
SUPER  
SECUR  
RESTROOM  
ACCESSORIES**

**MODEL #  
1177-1178**

**RESTROOM  
ACCESSORIES**

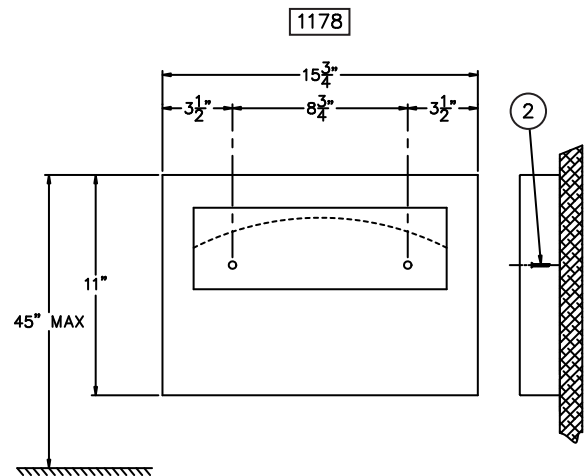
ITEM	DESCRIPTION	QTY
1	MOUNTING SCREWS	4
2	MOUNTING SCREWS	2



**NOTE:**  
MOUNTING HARDWARE IS NOT  
FURNISHED WITH MODEL 1177.



Note: Fixture may show some available options



**TECHNICAL DATA:**

**1177** towel dispenser is stainless steel construction with a locked hinged stainless steel door. Unit dispenses C-fold and multifold paper towels. Slots in sides of cabinet indicate refill time.

**1178** toilet-seat-cover dispenser is stainless steel construction. Unit dispenses single or half-fold paper toilet seat covers. Dispenser fills from bottom through concealed opening. Capacity is 250 toilet seat covers.

**MODEL NUMBER:**

- 1177 Surface Mounted Towel Dispenser
- 1178 Surface Mounted Toilet-Seat-Cover Dispenser

Additional data on these restroom accessories is available.

**SELECTION SUMMARY & APPROVAL FOR MANUFACTURING**

All dimensions are nominal and subject to manufacturer's change without notice. Murdock-Super Secur assumes no responsibility for use of void or suspended data. © Copyright 2006, Murdock-Super Secur, a division of Acorn Engineering Company. Please visit [www.murdock-supersecur.com](http://www.murdock-supersecur.com) for most current specifications.

Model Numbers & Options \_\_\_\_\_ Quantity \_\_\_\_\_

Company \_\_\_\_\_ Date \_\_\_\_\_

Contact \_\_\_\_\_ Title \_\_\_\_\_

Approval for Manufacturing/Signature \_\_\_\_\_