



# RESTROOM FIXTURES

1000

## MURDOCK-SUPER SECUR RESTROOM FIXTURE

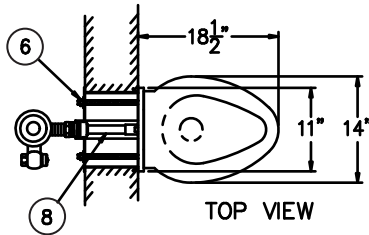
MODEL #  
1000

COMPACT REAR-MOUNTED TOILET, OFF-FLOOR

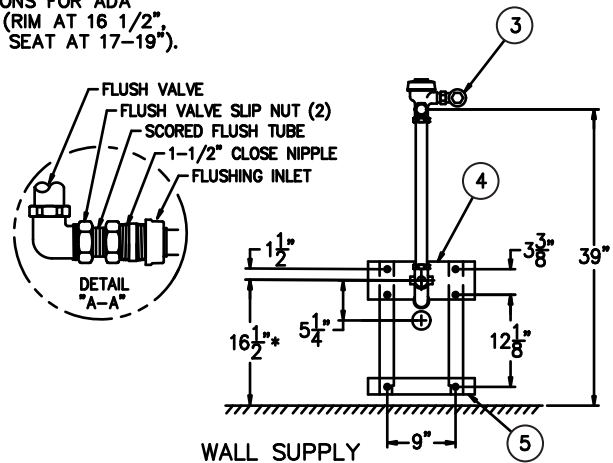
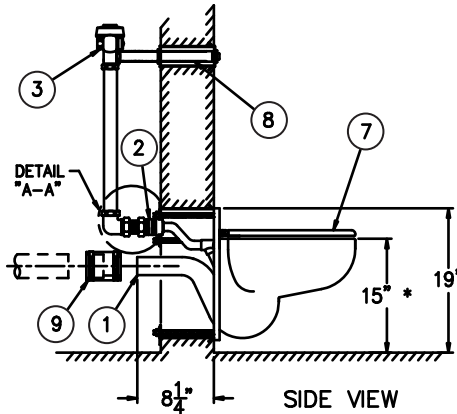
ITEM	DESCRIPTION	QTY
1	2 3/8" DIAMETER PLAIN END OUTLET	1
2	1 1/2" NPT FLUSHING CONNECTION	1
3	OPTIONAL FLUSH VALVE	1
4	UPPER MOUNTING PLATE	1
5	LOWER MOUNTING PLATE	1
6	1/2" STUDS WITH WASHERS & NUTS	6
7	HINGED SEAT W/STN STL HINGE	1
8	FLUSH VALVE SPACER	1
9	4" X 2" WASTE CONNECTION	1



Note: Fixture may show some available options



**\*NOTE:**  
ADD 1 1/2" TO THESE DIMENSIONS FOR ADA HEIGHT (RIM AT 16 1/2", TOP OF SEAT AT 17-19").



### TECHNICAL DATA:

**Fixture** is designed to be installed on a finished wall and serviced from an accessible pipe chase. Fixture is fabricated from 14 gage, type 304 stainless steel and is seamless welded construction. Wall flange is structurally reinforced. Exterior has a satin finish, except for the integral contoured toilet seat, which has a sanitary high polish finish.

**Toilet** has an elongated bowl and requires a minimum of 35 PSI flow pressure. Trap has a minimum 3-1/2" seal and will pass a 2-1/8" ball. Toilet waste outlet is 2-3/8" diameter plain end. Toilet will operate with a 1.6 gallon flush valve.

**Toilet** will meet ADA requirements when top of plastic toilet seat is mounted at 17" to 19" above floor. However, toilet seat will not remain raised if a grab bar is mounted behind toilet.

**Regularly furnished items** include mounting hardware for walls up to 8" thick, a stainless steel band coupling for 4" pipe and an open-front hinged plastic toilet seat.

### MODEL NUMBER:

- 1000 Compact Rear-Mounted Toilet, Wall Supply

### PRODUCT OPTIONS:

- EG Enviro-Glaze (for color selection see flier)
- Wall Supply Flush Valve
- Top Supply Flush Valve

### SELECTION SUMMARY & APPROVAL FOR MANUFACTURING

All dimensions are nominal and subject to manufacturer's change without notice. Murdock-Super Secur assumes no responsibility for use of void or suspended data. © Copyright 2006, Murdock-Super Secur, a division of Acorn Engineering Company. Please visit [www.murdock-supersecur.com](http://www.murdock-supersecur.com) for most current specifications.

Model Numbers & Options \_\_\_\_\_ Quantity \_\_\_\_\_  
 Company \_\_\_\_\_ Date \_\_\_\_\_  
 Contact \_\_\_\_\_ Title \_\_\_\_\_  
 Approval for Manufacturing/Signature \_\_\_\_\_