



RESTROOM FIXTURES

1002F

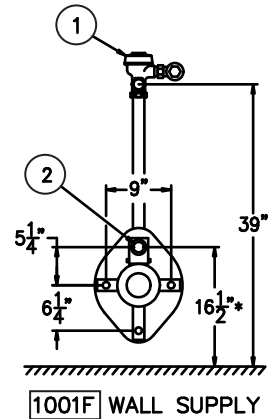
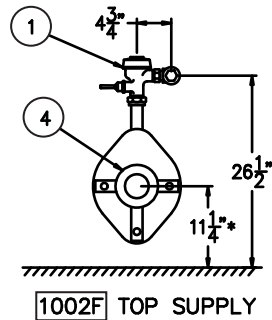
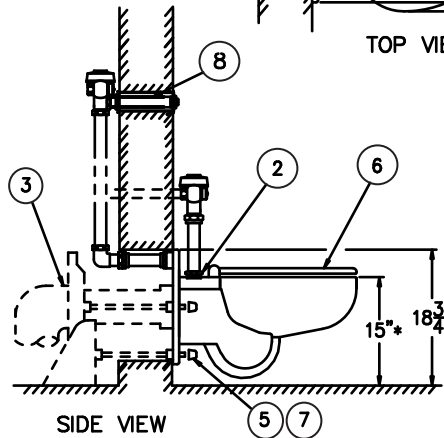
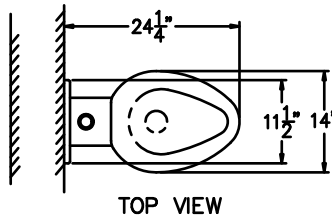
**MURDOCK-
SUPER
SECUR
RESTROOM
FIXTURE**

**MODEL #
1001F/1002F**

**FRONT-
MOUNTED
TOILET,
OFF-FLOOR**

ITEM	DESCRIPTION	QTY
1	OPTIONAL FLUSH VALVE	1
2	1 1/2" NPT FLUSHING CONNECTION	1
3	WASTE FITTINGS (BY OTHERS)	1
4	5-1/2" DIA. GASKET FLANGE	1
5	TAMPER RESISTANT CAP NUTS	3
6	HINGED TOILET SEAT	1
7	MOUNTING HARDWARE	1
8	FLUSH VALVE SPACER	1
9	SECURITY NUT WRENCH	1

***NOTE:**
ADD 1 1/2" TO THESE
DIMENSIONS FOR ADA
HEIGHT (RIM AT 16 1/2",
TOP OF SEAT AT 17-19").



Note: Fixture may show some available options

TECHNICAL DATA:

Fixture is designed to be installed on a finished wall and serviced from the front side. Fixture is fabricated from 16 gage, type 304 stainless steel and is seamless welded construction. Wall flange is structurally reinforced. Exterior has a satin finish, except for the integral contoured toilet seat, which has a sanitary high polish finish.

Toilet has an elongated bowl and requires a minimum of 35 PSI flow pressure. Trap has a minimum 3-1/2" seal and will pass a 2-1/8" ball. Toilet waste outlet is a gasketed waste. Toilet will operate with a 1.6 gallon flush valve.

Toilet will meet ADA requirements when top of plastic toilet seat is mounted at 17" to 19" above floor.

Regularly furnished items include mounting hardware for walls up to 8" thick, vandal-resistant cap nuts, a 4" no-hub waste adaptor and an open-front hinged plastic toilet seat.

MODEL NUMBER:

- 1001F Front-Mounted Toilet, Wall Supply
- 1002F Front-Mounted Toilet, Top Supply

PRODUCT OPTIONS:

- EG Enviro-Glaze (for color selection see flier)
- Wall Supply Flush Valve
- Top Supply Flush Valve

SELECTION SUMMARY & APPROVAL FOR MANUFACTURING

All dimensions are nominal and subject to manufacturer's change without notice. Murdock-Super Secur assumes no responsibility for use of void or suspended data. © Copyright 2006, Murdock-Super Secur, a division of Acorn Engineering Company. Please visit www.murdock-supersecur.com for most current specifications.

Model Numbers & Options _____ Quantity _____

Company _____ Date _____

Contact _____ Title _____

Approval for Manufacturing/Signature _____