



RESTROOM FIXTURES

1001R

MURDOCK-SUPER SECUR RESTROOM FIXTURE

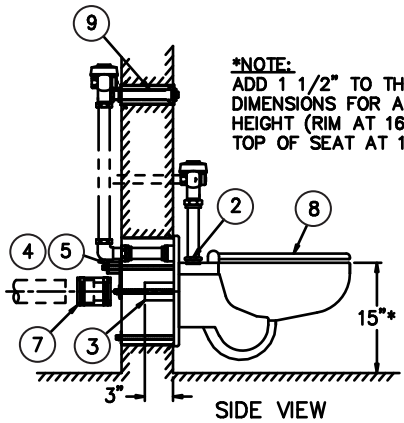
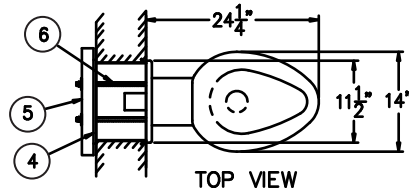
MODEL # 1001R/1002R

REAR-MOUNTED TOILET, OFF-FLOOR

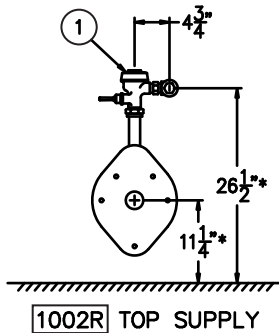
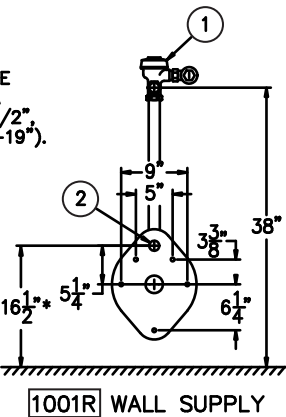
ITEM	DESCRIPTION	QTY
1	OPTIONAL FLUSH VALVE	
2	1 1/2" NPT FLUSHING CONNECTION	1
3	2 3/8" DIAMETER PLAIN END OUTLET	1
4	MOUNTING PLATE	1
5	MOUNTING CHANNEL	1
6	1/2" STUDS WITH WASHERS & NUTS	5
7	STN STL BAND COUPLING FOR 4" PIPE	1
8	HINGED TOILET SEAT	1
9	FLUSH VALVE SPACER	1



Note: Fixture may show some available options



***NOTE:**
ADD 1 1/2" TO THESE DIMENSIONS FOR ADA HEIGHT (RIM AT 16 1/2", TOP OF SEAT AT 17-19").



TECHNICAL DATA:

Fixture is designed to be installed on a finished wall and serviced from an accessible pipe chase. Fixture is fabricated from 14 gage, type 304 stainless steel and is seamless welded construction. Wall flange is structurally reinforced. Exterior has a satin finish, except for the integral contoured toilet seat, which has a sanitary high polish finish.

Toilet has an elongated bowl and requires a minimum of 35 PSI flow pressure. Trap has a minimum 3-1/2" seal and will pass a 2-1/8" ball. Toilet waste outlet is 2-3/8" diameter plain end. Toilet will operate with a 1.6 gallon flush valve.

Toilet will meet ADA requirements when top of plastic toilet seat is mounted at 17" to 19" above floor.

Regularly furnished items include mounting hardware for walls up to 8" thick, a stainless steel band coupling for 4" pipe and an open-front hinged plastic toilet seat.

MODEL NUMBER:

- 1001R Rear-Mounted Toilet, Wall Supply
- 1002R Rear-Mounted Toilet, Top Supply

PRODUCT OPTIONS:

- EG Enviro-Glaze (for color selection see flier)
- Wall Supply Flush Valve
- Top Supply Flush Valve

SELECTION SUMMARY & APPROVAL FOR MANUFACTURING

All dimensions are nominal and subject to manufacturer's change without notice. Murdock-Super Secur assumes no responsibility for use of void or suspended data. © Copyright 2006, Murdock-Super Secur, a division of Acorn Engineering Company. Please visit www.murdock-supersecur.com for most current specifications.

Model Numbers & Options _____ Quantity _____

Company _____ Date _____

Contact _____ Title _____

Approval for Manufacturing/Signature _____