



# RESTROOM FIXTURES

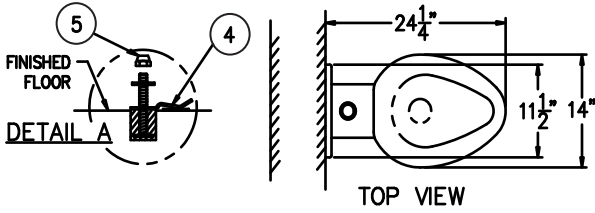
1004

**MURDOCK-SUPER SECUR RESTROOM FIXTURE**

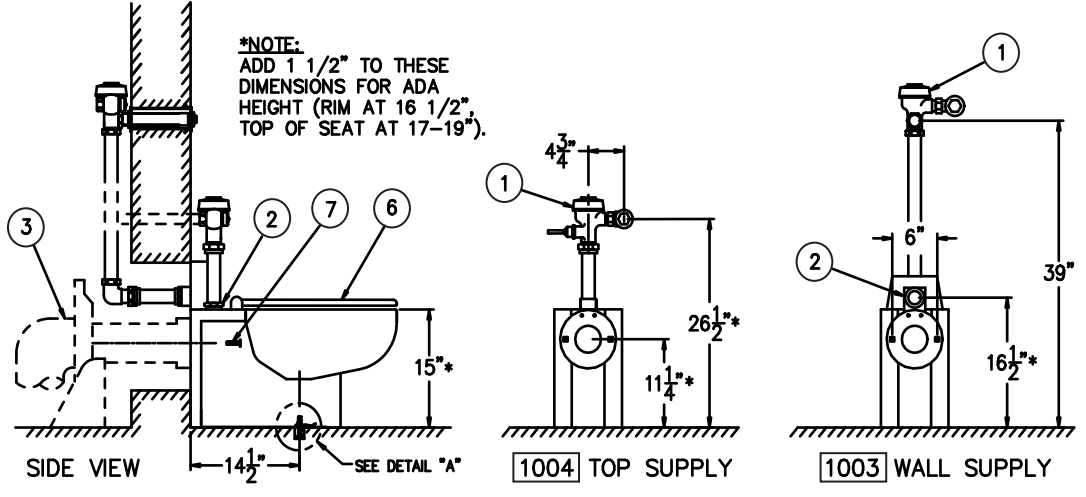
**MODEL # 1003/1004**

**FRONT-MOUNTED TOILET, ON-FLOOR, WALL OUTLET**

ITEM	DESCRIPTION	QTY
1	OPTIONAL FLUSH VALVE	1
2	1 1/2" NPT FLUSHING CONNECTION	1
3	WASTE FITTINGS (BY OTHERS)	1
4	CONCEALED FLOOR ANCHOR	1
5	T-BOLT ASSEMBLY	2
6	HINGED TOILET SEAT	1
7	5/16" FASTENERS (BY OTHERS)	2



Note: Fixture may show some available options



**TECHNICAL DATA:**

Fixture is designed to be installed on a finished wall and serviced from the front side. Fixture is fabricated from 16 gage, type 304 stainless steel and is seamless welded construction. Wall flange is structurally reinforced. Exterior has a satin finish, except for the integral contoured toilet seat, which has a sanitary high polish finish.

Toilet has an elongated bowl and requires a minimum of 35 PSI flow pressure. Trap has a minimum 3-1/2" seal and will pass a 2-1/8" ball. Toilet waste outlet is a gasketed waste. Toilet will operate with a 1.6 gallon flush valve.

Regularly furnished items include a concealed floor anchor with two T-head anchor bolts, washers, nuts and an open-front hinged plastic toilet seat.

**MODEL NUMBER:**

- 1003 Front-Mounted Toilet, Wall Supply
- 1004 Front-Mounted Toilet, Top Supply

**PRODUCT OPTIONS:**

- EG Enviro-Glaze (for color selection see flier)
- HCT ADA Height (rim at 16-1/2")
- Wall Supply Flush Valve
- Top Supply Flush Valve

SELECTION SUMMARY & APPROVAL FOR MANUFACTURING	
<p><small>All dimensions are nominal and subject to manufacturer's change without notice. Murdock-Super Secur assumes no responsibility for use of void or suspended data. © Copyright 2006, Murdock-Super Secur, a division of Acorn Engineering Company. Please visit <a href="http://www.murdock-supersecur.com">www.murdock-supersecur.com</a> for most current specifications.</small></p>	<p>Model Numbers &amp; Options _____ Quantity _____</p> <p>Company _____ Date _____</p> <p>Contact _____ Title _____</p> <p>Approval for Manufacturing/Signature _____</p>