



RESTROOM FIXTURES

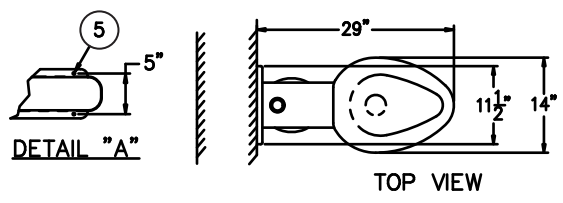
1005

MURDOCK-SUPER SECUR RESTROOM FIXTURE

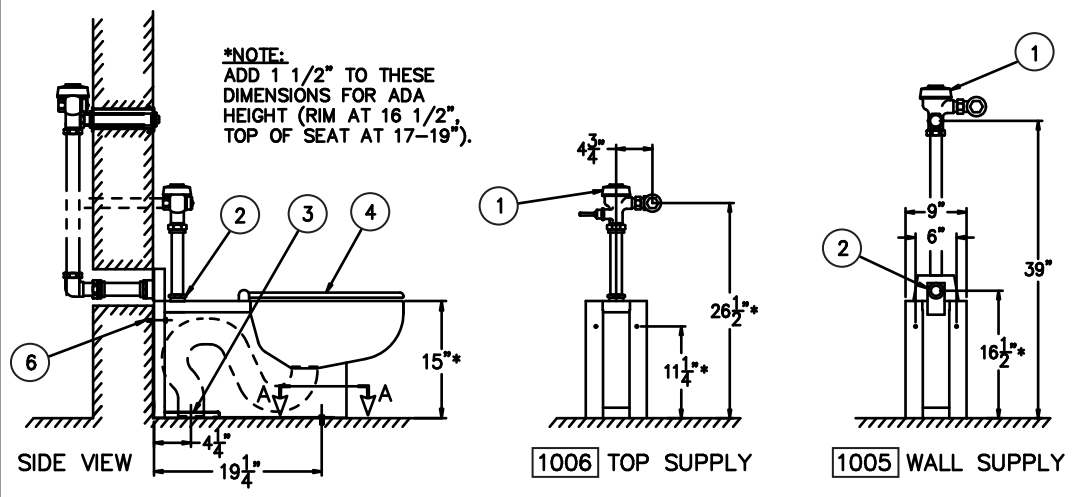
MODEL # 1005/1006

FRONT-MOUNTED TOILET, ON-FLOOR, FLOOR OUTLET

ITEM	DESCRIPTION	QTY
1	OPTIONAL FLUSH VALVE	1
2	1 1/2" NPT FLUSHING CONNECTION	1
3	7 1/2" DIA. GASKET WASTE	1
4	HINGED TOILET SEAT	1
5	1/4" STN STL BOLTS	4
6	5/16" FASTENERS (BY OTHERS)	2



Note: Fixture may show some available options



TECHNICAL DATA:

Fixture is designed to be installed on a finished wall and serviced from the front side. Fixture is fabricated from 16 gage, type 304 stainless steel and is seamless welded construction. Wall flange is structurally reinforced. Exterior has a satin finish, except for the integral contoured toilet seat, which has a sanitary high polish finish.

Toilet has an elongated bowl and requires a minimum of 35 PSI flow pressure. Trap has a minimum 3-1/2" seal and will pass a 2-1/8" ball. Toilet waste outlet is a gasketed waste. Toilet will operate with a 1.6 gallon flush valve.

Regularly furnished items include anchor bolts and an open-front hinged plastic toilet seat.

MODEL NUMBER:

- 1005 Front-Mounted Toilet, Wall Supply
- 1006 Front-Mounted Toilet, Top Supply

PRODUCT OPTIONS:

- EG Enviro-Glaze (for color selection see flier)
- HCT ADA Height (rim at 16-1/2")
- Wall Supply Flush Valve
- Top Supply Flush Valve

SELECTION SUMMARY & APPROVAL FOR MANUFACTURING

All dimensions are nominal and subject to manufacturer's change without notice. Murdock-Super Secur assumes no responsibility for use of void or suspended data. © Copyright 2006, Murdock-Super Secur, a division of Acorn Engineering Company. Please visit www.murdock-supersecur.com for most current specifications.

Model Numbers & Options _____ Quantity _____

Company _____ Date _____

Contact _____ Title _____

Approval for Manufacturing/Signature _____