



RESTROOM FIXTURES

1011B

MURDOCK-SUPER SECUR RESTROOM FIXTURE

MODEL #
1011B

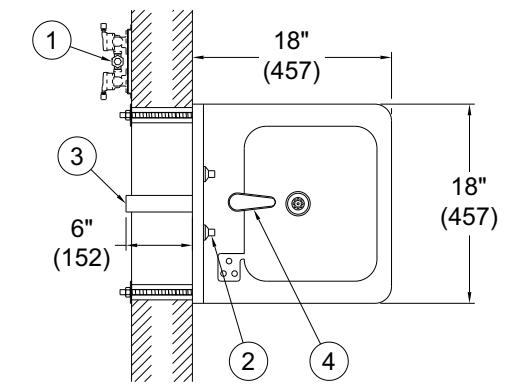
ADA COMPLIANT
LAVATORY
WITH
PUSHBUTTON
VALVE

Complies with the following standards:

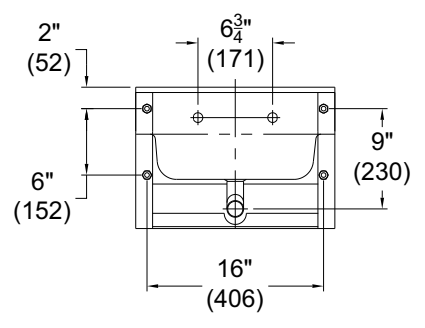
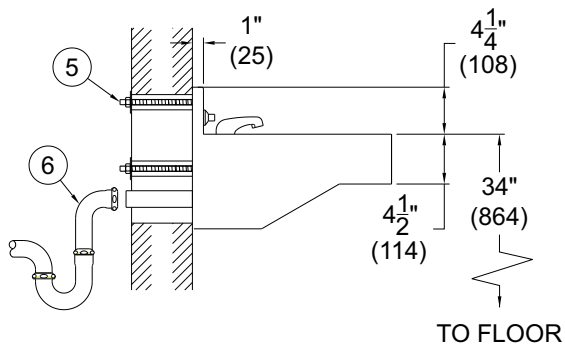


Member of U.S. Green Building Council

Recyclable Product



Note: Fixture may show some available options



NOTES:

1. -2 Air-Control Valve (Shown)
2. Lavy Valve Pushbuttons
3. Lavy Waste Outlet. Extended 6" Beyond Fixture

4. Lavy Spout
5. Wall Mounting Hardware
6. 1-1/2" O.D. P-Trap (Shipped Loose)

TECHNICAL DATA:

Fixture is designed to be installed on a finished wall and serviced from an accessible pipe chase. Fixture is fabricated from 14 gage, type 304 stainless steel with an enclosed bottom and is seamless welded construction. Exterior has a satin finish.

Rectangular lavatory bowl is 14" x 12" x 4" deep and includes a self-draining soap dish and an integral fast drain. Standard elbow waste outlet is 1-1/2" O.D. plain end and extends 6" beyond the rear of fixture.

Lavatory valve is an Air-Control, pneumatically operated pushbutton valve using atmospheric air and includes a 0.5 GPM flow control. Valve is metering, non-hold open type with spout and conforms to lead free requirements of NSF61, Section 9, 1997 and CHSC 116875. Valve can be remotely located up to 10 feet from operating pushbutton. Pushbutton is vandal resistant and requires less than 5 lbs. pressure to actuate valve. Timing is adjustable from 5 to 60 seconds.

Lavatory will meet national ADA requirements when installed with rim at 34" above floor.

Regularly furnished items include valve, pushbutton assembly, deck mounted spout, mounting hardware for walls up to 8" thick, thru wall waste and 1-1/2" tubular P-trap behind the wall.

MODEL NUMBER:

- 1011B-1 Lavatory with Cold Only Valve
- 1011B-2 Lavatory with Hot and Cold Valve

PRODUCT OPTIONS:

- EG Enviro-Glaze (for color selection see flier)
- SW Wall Sleeve
Wall Thickness _____

See Options on Sheet **LAV-OPT**

SELECTION SUMMARY & APPROVAL FOR MANUFACTURING

Model Number & Options _____	Quantity _____
Company _____	
Contact _____ Title _____	
Signature (Approval for Manufacturing) _____	Date _____

All dimensions are nominal and subject to change without notice. Murdock assumes no responsibility for use of void or suspended data. © Copyright Murdock Mfg., Morris Group International Please visit www.murdockmfg.com for most current specifications.