



RESTROOM FIXTURES

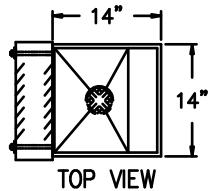
1030

MURDOCK-SUPER SECUR RESTROOM FIXTURE

MODEL #
1030

REAR MOUNTED
URINAL

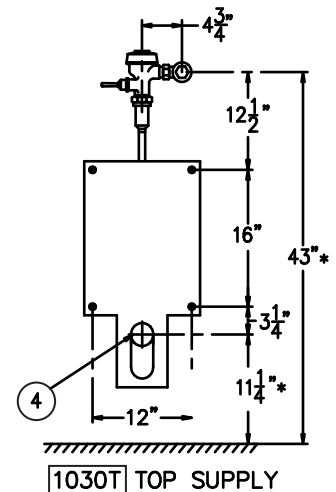
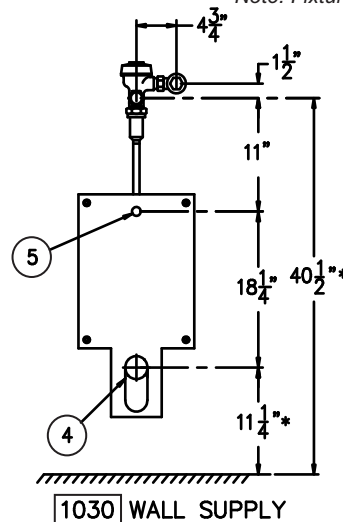
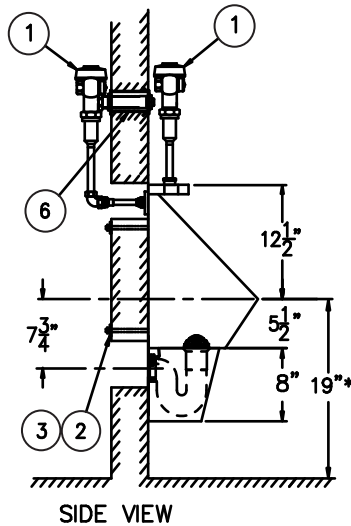
ITEM	DESCRIPTION	QTY
1	OPTIONAL FLUSH VALVE	1
2	ANCHORING BOLTS & NUTS	4
3	MOUNTING SPACERS & FLAT WASHERS	4
4	URINAL WASTE OUTLET 2" NPT	1
5	WALL SUPPLY FLUSH VALVE CONNECTION	1
6	FLUSH VALVE SPACER	1



***NOTE:**
DEDUCT 2" FROM THIS DIMENSION FOR ADA HEIGHT (RIM AT 17").



Note: Fixture may show some available options



TECHNICAL DATA:

Fixture is designed to be installed on a finished wall and serviced from an accessible pipe chase. Fixture is fabricated from 14 gage, type 304 stainless steel and is seamless welded construction. Exterior has a satin finish. Corners are covered to facilitate cleaning. P-trap is fully enclosed.

Urinal is rear wall washdown type and requires a minimum of 35 PSI flow pressure. Bottom is sloped to an integrally welded, high capacity, stainless steel beehive dome strainer. P-trap has a minimum 2" seal. Urinal will operate with a 1.0 gallon flush valve.

Urinal will meet ADA requirements when rim is mounted at 17" maximum above floor.

Regularly furnished items include mounting hardware for walls up to 8" thick.

MODEL NUMBER:

- 1030 Rear-Mounted Urinal, Wall Supply
- 1030T Rear-Mounted Urinal, Top Supply

PRODUCT OPTIONS:

- EG Enviro-Glaze (for color selection see flier)
- Wall Supply Flush Valve
- Top Supply Flush Valve

SELECTION SUMMARY & APPROVAL FOR MANUFACTURING

All dimensions are nominal and subject to manufacturer's change without notice. Murdock-Super Secur assumes no responsibility for use of void or suspended data. © Copyright 2006, Murdock-Super Secur, a division of Acorn Engineering Company. Please visit www.murdock-supersecur.com for most current specifications.

Model Numbers & Options _____ Quantity _____

Company _____ Date _____

Contact _____ Title _____

Approval for Manufacturing/Signature _____