



RESTROOM FIXTURES

1033

MURDOCK-SUPER SECUR RESTROOM FIXTURE

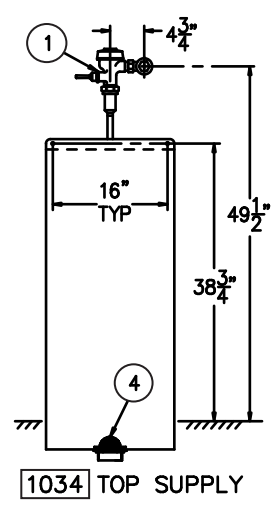
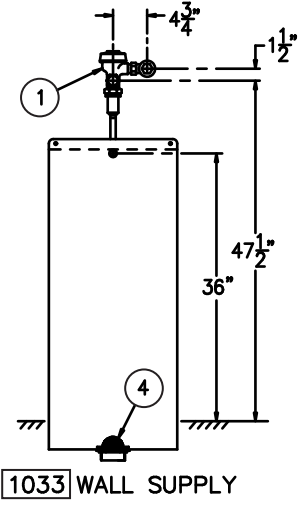
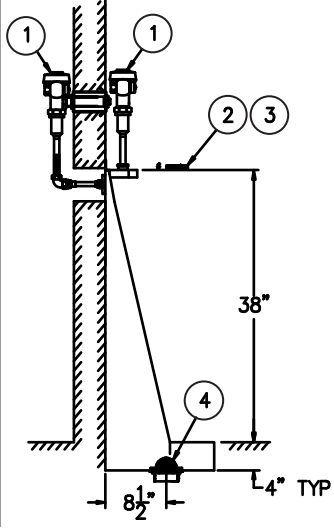
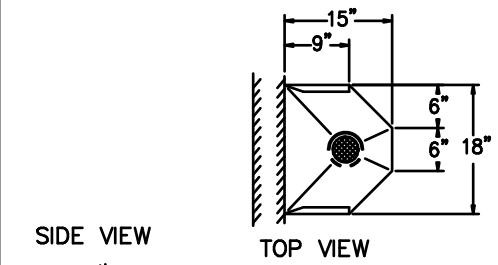
MODEL # 1033-1034

STALL TYPE URINAL

| ITEM | DESCRIPTION | QTY |
|------|------------------------------------|-----|
| 1 | OPTIONAL FLUSH VALVE | 1 |
| 2 | 1/4"-20 UNC X 2" ALLEN FT HD SCREW | 2 |
| 3 | 1/4" COUNTERSUNK WASHER | 2 |
| 4 | BEEHIVE STRAINER | 1 |



Note: Fixture may show some available options



TECHNICAL DATA:

Fixture is designed to be installed on a finished wall and serviced from the front side. Fixture is fabricated from 16 gage, type 304 stainless steel and is seamless welded construction. Exterior has a satin finish. Corners are covered to facilitate cleaning.

Urinal is rear wall washdown type and requires a minimum of 35 PSI flow pressure. Bottom is sloped to a high capacity, stainless steel beehive dome strainer. Strainer is secured with tamper-resistant screws. Waste connection is 2" inside caulk. Urinal will operate with a 1.0 gallon flush valve.

Urinal will meet ADA requirements if flush valve handle is at a height of 44" maximum.

Regularly furnished items include tamper-resistant mounting screws.

MODEL NUMBER:

- 1033 Stall Type Urinal, Wall Supply
- 1034 Stall Type Urinal, Top Supply

PRODUCT OPTIONS:

- EG Enviro-Glaze (for color selection see flier)
- Wall Supply Flush Valve
- Top Supply Flush Valve

| SELECTION SUMMARY & APPROVAL FOR MANUFACTURING | |
|---|--|
| <p><small>All dimensions are nominal and subject to manufacturer's change without notice. Murdock-Super Secur assumes no responsibility for use of void or suspended data. © Copyright 2006, Murdock-Super Secur, a division of Acorn Engineering Company. Please visit www.murdock-supersecur.com for most current specifications.</small></p> | <p>Model Numbers & Options _____ Quantity _____</p> <p>Company _____ Date _____</p> <p>Contact _____ Title _____</p> <p>Approval for Manufacturing/Signature _____</p> |