



RESTROOM FIXTURES

Super Secur

MODEL 1035R / 1036R

URINAL, REAR MOUNTED

HEU HIGH EFFICIENCY URINAL

TECHNICAL DATA

High Efficiency Urinals are engineered to combine attractive looks with versatility, and intended for mounting onto a finished wall from an accessible pipe chase. Unit features a contoured interior to facilitate cleaning. Urinals mounted at 17" rim height comply with ANSI, ADA, UFAS accessibility requirements. Compliance is subject to the interpretation and requirements of the local code authority.

Fixture bowl is fabricated of 16 gage type 304 stainless steel and the housing fabricated of 18 gage type 304 stainless steel with exterior surfaces polished to a satin finish.

Urinal is a high efficiency type requiring a 1/8 GPF (0.47 Liters per Flush) to 1/2 GPF (1.8 Liters per Flush) flush valve and supplied with 3/4" NPT flushing inlet connection and 1-1/2" O.D. plain end P-Trap.



Model Shown: 1036R HEU, TOP SUPPLY WITH OPTIONAL FLUSH VALVE

SUGGESTED SPECIFICATIONS

Provide Murdock Super Secur Stainless Steel Urinal (specify model number and options). Urinal mounted at 17" rim height to comply with ANSI, ADA and UFAS accessibility requirements. Interior to have a contoured surface to facilitate cleaning. Fixture shall be fabricated of 18 gage with 16 gage bowl type 304 stainless steel with exposed surfaces polished to a satin finish

OPTIONS

(additional costs may be incurred)

- 1035R Rear Mount Urinal, HEU, Wall Supply
- 1036R Rear Mount Urinal HEU, Top Supply
- FVBO Flush Valve by Others
- Flush Valve, Lever Handle
- 0.125 GPF 0.50 GPF

Please visit www.murdockmfg.com for most current specifications.



Member of
U.S. Green
Building
Council



Recyclable
Product



Complies
with the
following
standards:

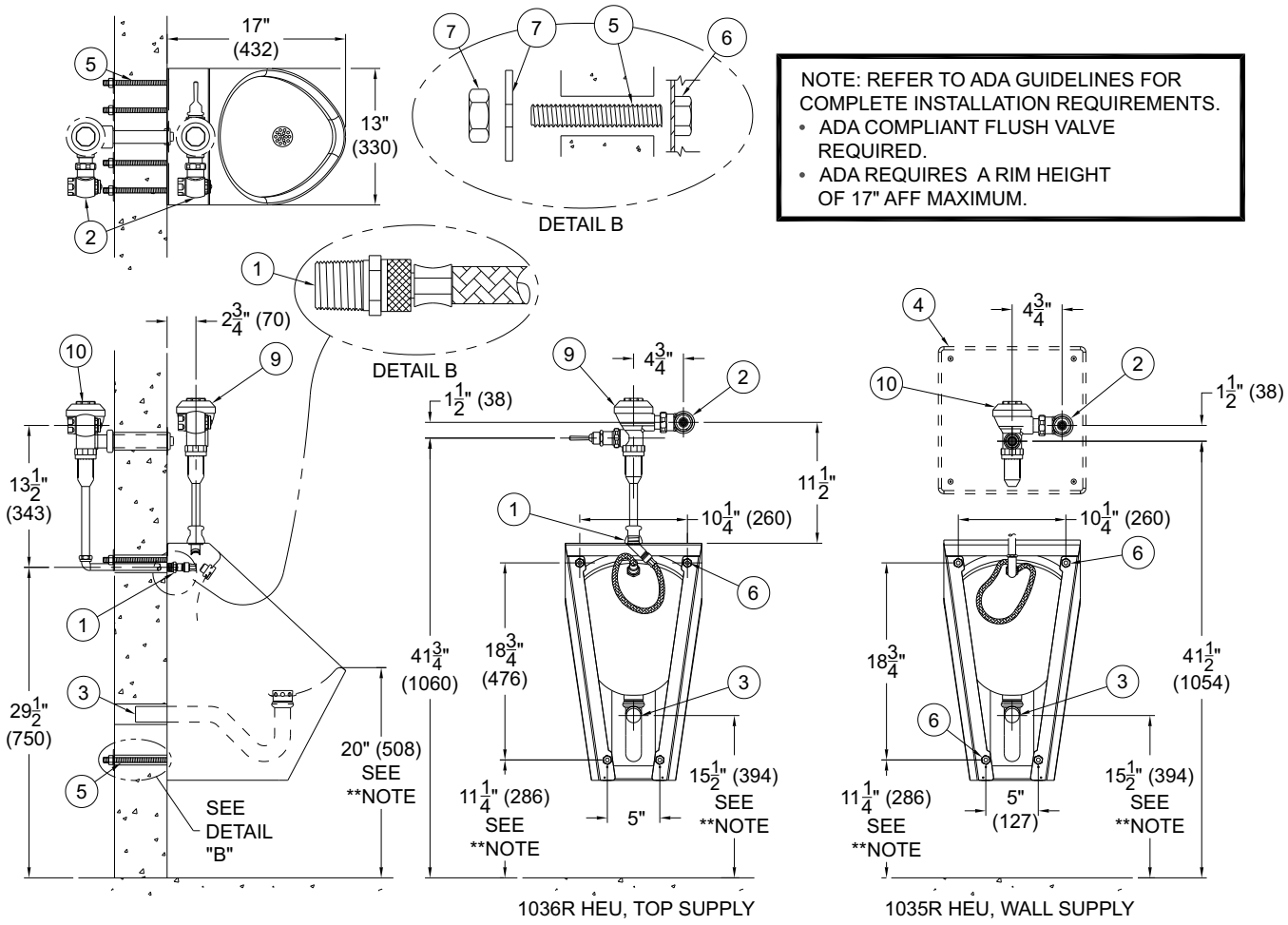


MURDOCK MFG. • 15125 Proctor Avenue • City of Industry, CA 91746 USA
Phone 800-453-7465 or 626-333-2543 • Fax 626-855-4860 • www.murdockmfg.com

Member of
MORRIS GROUP
INTERNATIONAL



RESTROOM FIXTURES



- | | | |
|-----------------------------------------------------------------------------------------------------------------------------------------------------------------------------|----------------------------------------------------------------------------------------------------------------------------------------------------------------------------|--------------------------------------------------------------------------------------------------------------|
| <p>1. MALE ADAPTER WITH FLEXIBLE HOSE PROVIDED FOR 1035R WALL SUPPLY MODELS, DETAIL "A"</p> <p>2. 3/4" NPT FLUSH VALVE INLET</p> <p>3. 1-1/2" OD PLAIN END WASTE OUTLET</p> | <p>4. OPTIONAL 2898 FLUSH VALVE ACCESS PANEL SHOWN FOR REFERENCE</p> <p>5. 1/2"-13 UNC MOUNTING HARDWARE PROVIDED</p> <p>6. 1/2"-13 UNC WELD NUTS FOR FIXTURE MOUNTING</p> | <p>7. WASHERS AND NUTS FOR HARDWARE PROVIDED</p> <p>8. EXPOSED FLUSH VALVE</p> <p>9. EXPOSED FLUSH VALVE</p> |
|-----------------------------------------------------------------------------------------------------------------------------------------------------------------------------|----------------------------------------------------------------------------------------------------------------------------------------------------------------------------|--------------------------------------------------------------------------------------------------------------|

Murdock Mfg.™ warrants that its products are free from defects in material or workmanship under normal use and service for a period of one year from date of shipment. Murdock's liability under this warranty shall be discharged solely by replacement or repair of defective material, provided Murdock™ is notified in writing within one year from date of shipment, F.O.B. Industry, California.

SELECTION SUMMARY & APPROVAL FOR MANUFACTURING	Model Number & Options _____	Quantity _____
	Company _____	
	Contact _____	Title _____
	Signature (Approval for Manufacturing) _____	
	Date _____	

All dimensions are subject to manufactures tolerance of plus or minus 1/2" nominal and subject to change without notice. Murdock assumes no responsibility for use of void or superseded data. Dimensions may change with the addition of optional accessories. Murdock Mfg.™, Member of Morris Group International™. Please visit www.murdockmfg.com for most current specifications.