



RESTROOM FIXTURES

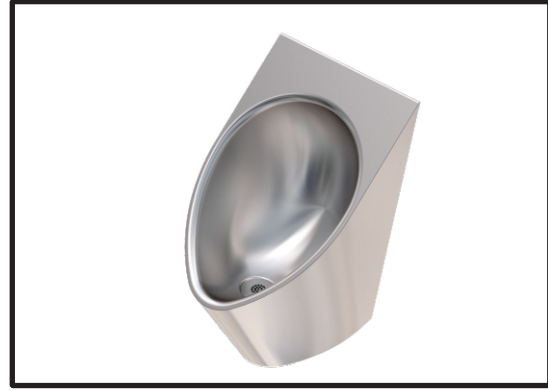
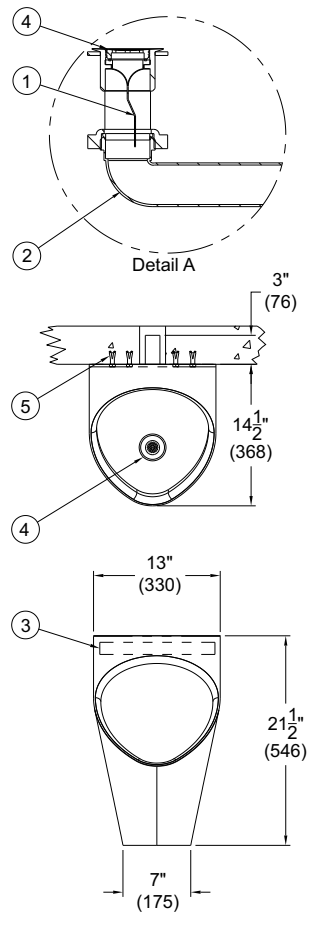
1039

MURDOCK-SUPER SECUR RESTROOM FIXTURE

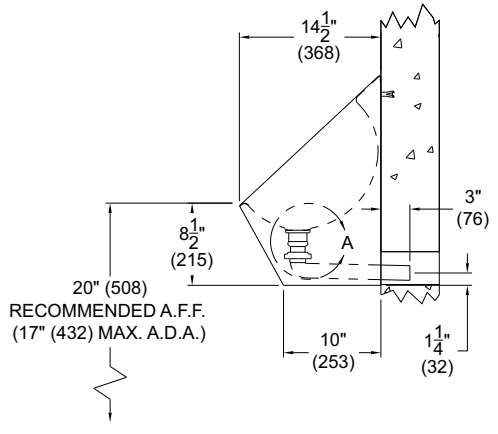
MODEL #
1039

WATERLESS URINAL

Complies with the following standard:



Note: Fixture may show some available options



- NOTES:
1. Duck Bill Diaphragm.
 2. 1-1/2" Waste Elbow O.D. Plain End.
 3. Mounting S-Clip.
 4. Removable Strainer.
 5. Wall Mounting Anchors. (By Others)

TECHNICAL DATA:

Fixture is engineered to combine attractive appearance and vandal resistance. Urinal features a contoured interior to facilitate cleaning. Fixture is fabricated from 18 gage type 304 stainless steel with a 16 gage bowl and is seamless welded construction. Exterior has a satin finish. Unit has an open bottom for servicing and installation.

Urinal is a waterless type with removable strainer which acts as a retainer for the drain duck bill diaphragm.

Urinal will meet ADA requirements when rim is mounted at 17" maximum above floor.

Regularly furnished items include mounting clip and 1-1/2" OD waste elbow.

MODEL NUMBER:

- 1039 Front-Mounted Waterless Urinal

PRODUCT OPTIONS:

- EG Enviro-Glaze (for color selection see flier)

SELECTION SUMMARY & APPROVAL FOR MANUFACTURING

Model Number & Options _____ Quantity _____

Company _____

Contact _____ Title _____

Signature (Approval for Manufacturing) _____ Date _____

All dimensions are nominal and subject to change without notice. Murdock-Super Secur assumes no responsibility for use of void or suspended data.
© Copyright Murdock-Super Secur, Acorn Family of Companies
Please visit www.murdock-supersecur.com for most current specifications.

