



# RESTROOM FIXTURES

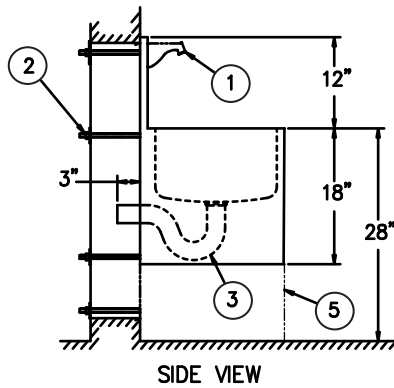
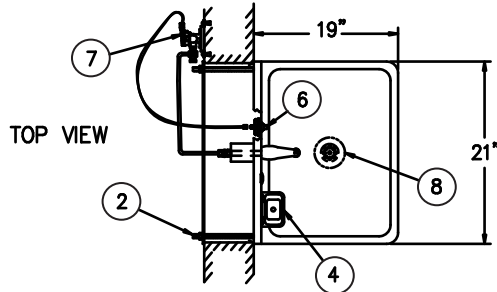
1051

**MURDOCK-SUPER SECUR RESTROOM FIXTURE**

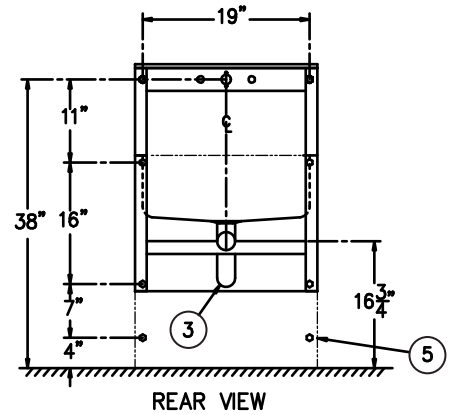
**MODEL # 1051**

**SERVICE SINK**

ITEM	DESCRIPTION	QTY
1	FILLER SPOUT (-SH)	1
2	MOUNTING HARDWARE	1
3	P-TRAP W/ 2-3/8" O.D. OUTLET	1
4	OPTIONAL SOAP DISH	1
5	FLOOR MOUNTED OPTION	1
6	PUSHBUTTON ASSY	1
7	AIR CONTROL VALVE	1
8	INTEGRAL GRID STRAINER	1



Note: Fixture may show some available options



**TECHNICAL DATA:**

Fixture is designed to be installed on a finished wall and serviced from an accessible pipe chase. Fixture is fabricated from 14 gage, type 304 stainless steel and is seamless welded construction. Exterior has a satin finish. Rectangular bowl is 19" x 16" x 10" deep.

Valve is an Air-Control, pneumatically operated pushbutton valve using atmospheric air. Pushbutton is vandal-resistant and requires less than 5 pounds to activate valve. Valve includes a 2.5 GPM flow control and may be located up to 10 feet from the operating pushbutton.

Regularly furnished items include valve, spout with hose end, integral grid strainer, integral P-trap and mounting hardware for walls up to 8" thick.

**MODEL NUMBER:**

- 1051-1 Service Sink with Cold Only Valve
- 1051-2 Service Sink with Hot and Cold Valve

**PRODUCT OPTIONS:**

- EG Enviro-Glaze (for color selection see flier)
- D Soap Dish
- FM Floor-Mounted

**SELECTION SUMMARY & APPROVAL FOR MANUFACTURING**

All dimensions are nominal and subject to manufacturer's change without notice. Murdock-Super Secur assumes no responsibility for use of void or suspended data. © Copyright 2006, Murdock-Super Secur, a division of Acorn Engineering Company. Please visit [www.murdock-supersecur.com](http://www.murdock-supersecur.com) for most current specifications.

Model Numbers & Options \_\_\_\_\_ Quantity \_\_\_\_\_

Company \_\_\_\_\_ Date \_\_\_\_\_

Contact \_\_\_\_\_ Title \_\_\_\_\_

Approval for Manufacturing/Signature \_\_\_\_\_