



# RESTROOM ACCESSORIES

1150-H

**MURDOCK-  
SUPER  
SECUR  
RESTROOM  
ACCESSORIES**

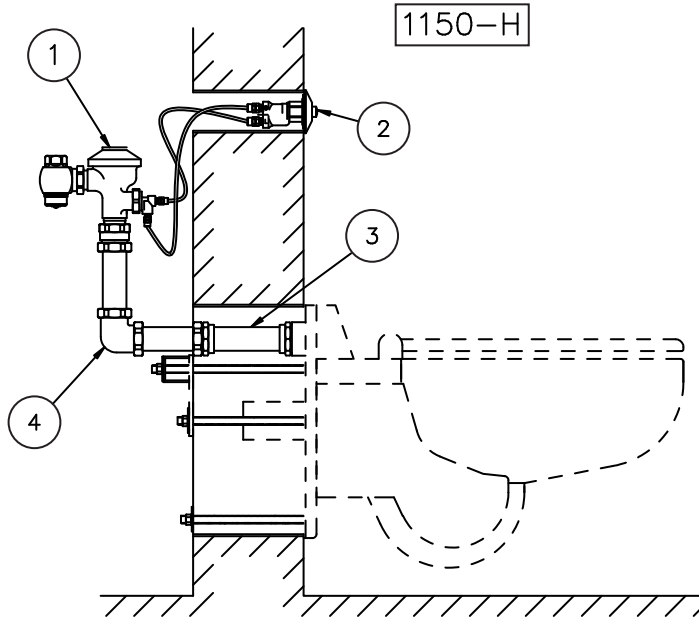
**MODEL #  
1150-H**

**CONCEALED  
TOILET  
FLUSH  
VALVE**

ITEM	DESCRIPTION	QTY
1	FLUSH VALVE	1
2	HYDRAULIC PUSHBUTTON (-H)	1
3	THRU WALL SUPPLY ASSY	1
4	TAILPIECE WITH SLIP JOINT NUTS	1



Note: Fixture may show some available options



**NOTE:**  
CUT PART #3 TO FIT &  
SOLDER TOGETHER IN FIELD.

**TECHNICAL DATA:**

**1150-H** concealed toilet flush valve has a code-approved vacuum breaker. Construction is bronze with chrome plated exposed parts. Hydraulic pushbutton requires less than 5 pounds force to activate and meets ADA requirements. Check stop has a 1" inlet. Tailpiece is 1-1/2" diameter.

**Toilet flush valve** requires a 35 PSI flow pressure and typically requires a 1-1/4" minimum water supply line to restroom.

**-ULF** flush valve has a 1.6 gallon flush in place of the standard 3.5 gallon flush.

**MODEL NUMBER:**

- 1150-H Toilet Flush Valve with Hydraulic Push Button

**PRODUCT OPTIONS:**

- ULF 1.6 Gallon Flush

**SELECTION SUMMARY & APPROVAL FOR MANUFACTURING**

*All dimensions are nominal and subject to manufacturer's change without notice. Murdock-Super Secur assumes no responsibility for use of void or suspended data. © Copyright 2006, Murdock-Super Secur, a division of Acorn Engineering Company. Please visit [www.murdock-supersecur.com](http://www.murdock-supersecur.com) for most current specifications.*

Model Numbers & Options \_\_\_\_\_ Quantity \_\_\_\_\_

Company \_\_\_\_\_ Date \_\_\_\_\_

Contact \_\_\_\_\_ Title \_\_\_\_\_

Approval for Manufacturing/Signature \_\_\_\_\_