



# RESTROOM ACCESSORIES

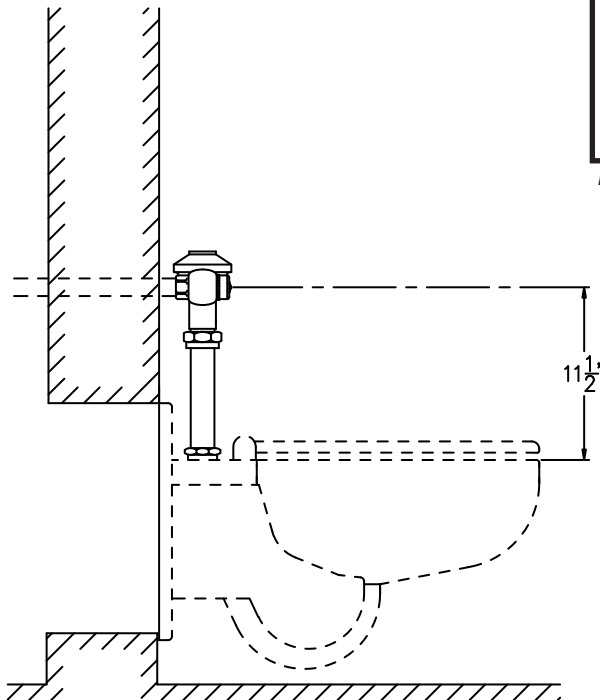
1151

**MURDOCK-  
SUPER  
SECUR  
RESTROOM  
ACCESSORIES**

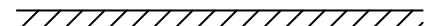
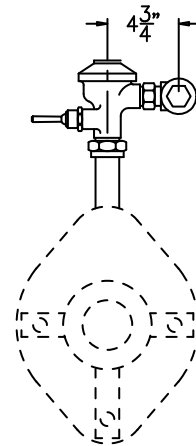
**MODEL #  
1151 SERIES**

**EXPOSED  
TOILET  
FLUSH  
VALVE**

1151



Note: Fixture may show some available options



**TECHNICAL DATA:**

**1151** exposed toilet flush valve has a code-approved vacuum breaker and a non-hold-open handle. Construction is bronze with chrome plated exposed parts. Check stop has a 1" inlet. Tailpiece is 1-1/2" diameter. Lever handle requires less than 5 pounds force to activate and meets ADA requirements.

**Toilet flush valve** requires a 35 PSI flow pressure and typically requires a 1-1/4" minimum water supply line to restroom.

**-ULF** flush valve has a 1.6 gallon flush in place of the standard 3.5 gallon flush.

**MODEL NUMBER:**

1151 Toilet Flush Valve

**PRODUCT OPTIONS:**

- ULF 1.6 Gallon Flush

**SELECTION SUMMARY & APPROVAL FOR MANUFACTURING**

*All dimensions are nominal and subject to manufacturer's change without notice. Murdock-Super Secur assumes no responsibility for use of void or suspended data. © Copyright 2006, Murdock-Super Secur, a division of Acorn Engineering Company. Please visit [www.murdock-supersecur.com](http://www.murdock-supersecur.com) for most current specifications.*

Model Numbers & Options \_\_\_\_\_ Quantity \_\_\_\_\_

Company \_\_\_\_\_ Date \_\_\_\_\_

Contact \_\_\_\_\_ Title \_\_\_\_\_

Approval for Manufacturing/Signature \_\_\_\_\_