



# RESTROOM ACCESSORIES

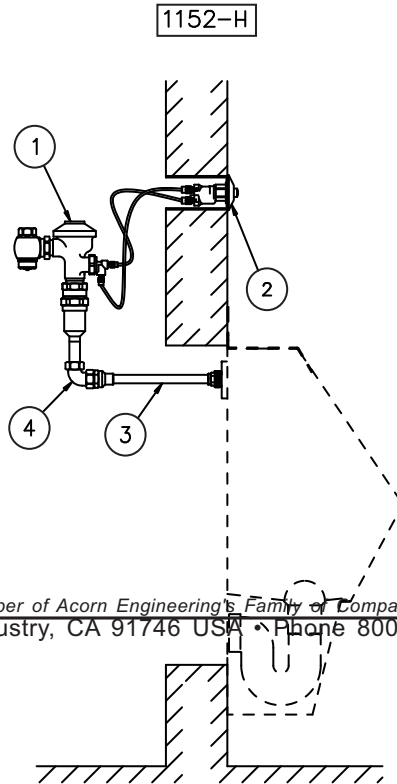
1152-H

**MURDOCK-  
SUPER  
SECUR  
RESTROOM  
ACCESSORIES**

**MODEL #  
1152-H**

**CONCEALED  
URINAL  
FLUSH  
VALVE WITH  
HYDRAULIC  
PUSH BUTTON**

ITEM	DESCRIPTION	QTY
1	FLUSH VALVE	1
2	HYDRAULIC PUSHBUTTON	1
3	THRU WALL SUPPLY ASSY	1
4	TAILPIECE WITH SLIP JOINT NUTS	1



Note: Fixture may show some available options

**NOTE:**  
CUT PART #3 TO FIT &  
SOLDER TOGETHER IN FIELD.

MURDOCK SUPER SECUR A Member of Acorn Engineering's Family of Companies  
15125 Proctor Avenue • City of Industry, CA 91746 USA • Phone 800-591-9880 or 626-333-2543 • Fax 626-855-4860

**TECHNICAL DATA:**

**1152-H** concealed urinal flush valve has a code-approved vacuum breaker. Construction is bronze with chrome plated exposed parts. Hydraulic pushbutton requires less than 5 pounds force to activate and meets ADA requirements. Check stop has a 3/4" inlet. Tailpiece is 3/4" diameter.

**Urinal flush valve** requires a 35 PSI flow pressure and typically requires a 1-1/4" minimum water supply line to restroom.

**-ULF** flush valve has a 1.0 gallon flush in place of the standard 1.5 gallon flush.

**MODEL NUMBER:**

- 1152-H Urinal Flush Valve with Hydraulic Push Button

**PRODUCT OPTIONS:**

- ULF 1.0 Gallon Flush

**SELECTION SUMMARY & APPROVAL FOR MANUFACTURING**

All dimensions are nominal and subject to manufacturer's change without notice. Murdock-Super Secur assumes no responsibility for use of void or suspended data. © Copyright 2006, Murdock-Super Secur, a division of Acorn Engineering Company. Please visit [www.murdock-supersecur.com](http://www.murdock-supersecur.com) for most current specifications.

Model Numbers & Options \_\_\_\_\_ Quantity \_\_\_\_\_

Company \_\_\_\_\_ Date \_\_\_\_\_

Contact \_\_\_\_\_ Title \_\_\_\_\_

Approval for Manufacturing/Signature \_\_\_\_\_

**MURDOCK-SUPER SECUR** A Member of Acorn Engineering's Family of Companies  
15125 Proctor Avenue • City of Industry, CA 91746 USA • Phone 800-591-9880 or 626-333-2543 • Fax 626-855-4860