



RESTROOM ACCESSORIES

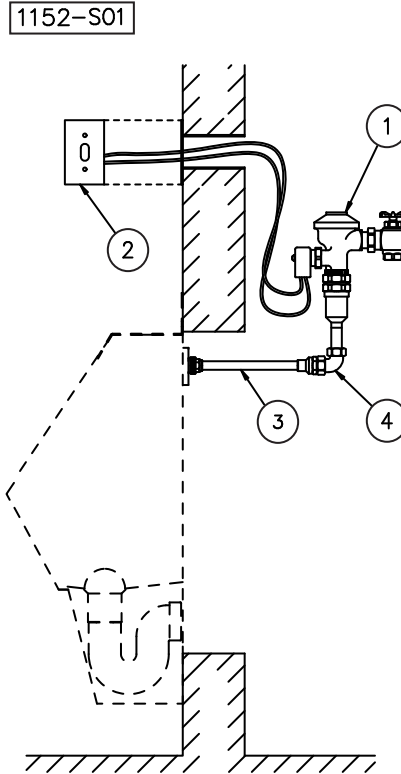
1152-SO1

MURDOCK-SUPER SECUR RESTROOM ACCESSORIES

MODEL #
1152-SO1

CONCEALED URINAL FLUSH VALVE WITH SENSOR OPERATION

ITEM	DESCRIPTION	QTY
1	FLUSH VALVE	1
2	INFRARED SENSOR	1
3	THRU WALL SUPPLY ASSY	1
4	TAILPIECE WITH SLIP JOINT NUTS	1



Note: Fixture may show some available options

NOTE:
CUT PART #3 TO FIT &
SOLDER TOGETHER IN FIELD.

TECHNICAL DATA:

1152-SO1 concealed urinal flush valve has a code-approved vacuum breaker. Construction is bronze. Flush valve has a wall-mounted infrared sensor for operation. Sensor is powered by an optional transformer in the plumbing chase. Sensor operation meets ADA requirements. Check stop has a 3/4" inlet. Tailpiece is 3/4" diameter.

Urinal flush valve requires a 35 PSI flow pressure and typically requires a 1-1/4" minimum water supply line to restroom.

-ULF flush valve has a 1.0 gallon flush in place of the standard 1.5 gallon flush.

MODEL NUMBER:

1152-SO1 Urinal Flush Valve with Sensor Operation

PRODUCT OPTIONS:

- ULF 1.0 Gallon Flush
 Transformer

SELECTION SUMMARY & APPROVAL FOR MANUFACTURING

All dimensions are nominal and subject to manufacturer's change without notice. Murdock-Super Secur assumes no responsibility for use of void or suspended data. © Copyright 2006, Murdock-Super Secur, a division of Acorn Engineering Company. Please visit www.murdock-supersecur.com for most current specifications.

Model Numbers & Options _____ Quantity _____
Company _____ Date _____
Contact _____ Title _____
Approval for Manufacturing/Signature _____