



# RESTROOM ACCESSORIES

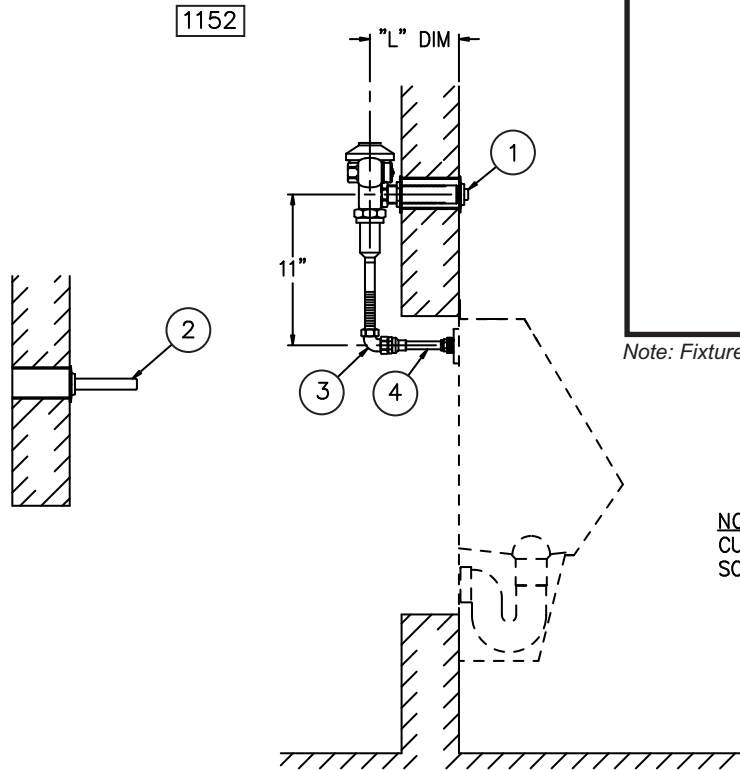
1152

**MURDOCK-  
SUPER  
SECUR  
RESTROOM  
ACCESSORIES**

**MODEL #  
1152 SERIES**

**CONCEALED  
URINAL  
FLUSH  
VALVE**

ITEM	DESCRIPTION	QTY
1	PUSHBUTTON	1
2	OPTIONAL LEVER HANDLE (-L)	1
3	TAILPIECE WITH SLIP JOINT NUTS	1
4	THRU WALL SUPPLY ASSY	1



Note: Fixture may show some available options

**NOTE:**  
CUT PART #4 TO FIT &  
SOLDER TOGETHER IN FIELD.

**TECHNICAL DATA:**

**1152** concealed urinal flush valve has a code-approved vacuum breaker and a non-hold-open pushbutton or handle. Construction is bronze with chrome plated exposed parts. Check stop has a 3/4" inlet. Tailpiece is 3/4" diameter for washdown urinal.

**Urinal flush valve** requires a 35 PSI flow pressure and typically requires a 1-1/4" minimum water supply line to restroom.

**-L** optional lever handle requires less than 5 pounds force to activate. Lever handle meets ADA requirements.

**-ULF** flush valve has a 1.0 gallon flush in place of the standard 1.5 gallon flush.

**MODEL NUMBER:**

- 1152-6 Urinal Flush Valve with 8-3/4" "L" dimension (for walls up to 6" thick)
- 1152-9 Urinal Flush Valve with 11-3/4" "L" dimension (for walls up to 9" thick)

**PRODUCT OPTIONS:**

- L with Lever Handle
- ULF 1.0 Gallon Flush

**SELECTION SUMMARY & APPROVAL FOR MANUFACTURING**

*All dimensions are nominal and subject to manufacturer's change without notice. Murdock-Super Secur assumes no responsibility for use of void or suspended data. © Copyright 2006, Murdock-Super Secur, a division of Acorn Engineering Company. Please visit [www.murdock-supersecur.com](http://www.murdock-supersecur.com) for most current specifications.*

Model Numbers & Options \_\_\_\_\_ Quantity \_\_\_\_\_

Company \_\_\_\_\_ Date \_\_\_\_\_

Contact \_\_\_\_\_ Title \_\_\_\_\_

Approval for Manufacturing/Signature \_\_\_\_\_