



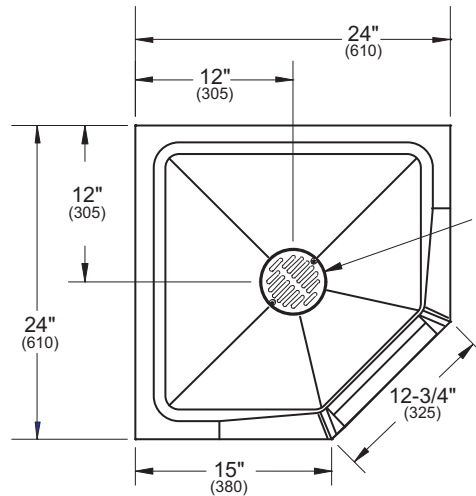
# RESTROOM FIXTURES

TNC-24

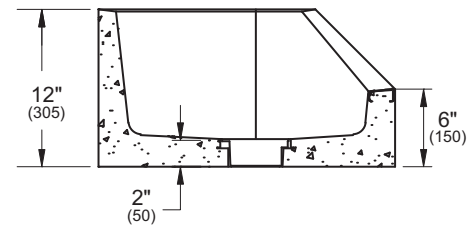
**MURDOCK-  
SUPER  
SECUR  
RESTROOM  
FIXTURE**

**MODEL #  
TNC-24**

**TERRAZZO 24"  
NEO-CORNER  
MOP SINK**



Note: Fixture may show some available options



**TECHNICAL DATA:**

**Mop Sink** is an attractive, durable fixture designed to be easy to install and maintain. Precast mop sinks provide flexibility in configuration and size as required by the design of the building and the specific installation. Corner mop sinks are designed in corner round or neo-corner models. Custom sizes and colors are also available.

**Construction** is one piece, precast terrazzo composed of marble chips cast in Portland cement to provide a compressive strength of at least 3,000 PSI seven days after casting. The mop sink surface is ground smooth and sealed to provide years of service.

**Integral Drain** is supplied with a removable, stainless steel grid strainer and provides for an inside caulked connection to a 3" pipe. The mop sink has covered corners and is pitched to the drain outlet to provide positive drainage.

**Front Shoulder** is dropped 6" to allow easier bucket tipping. A stainless steel cap is provided on this dropped front shoulder for additional protection. Other shoulders are provided without caps exposing the natural terrazzo finish.

**Accessories** to complement and complete the installation of the mop sink include chrome finish faucets and rubber drain gaskets (for easy installation of the fixture).

**MODEL NUMBER:**

- TNC-24 Terrazzo 24" Neo-Corner Mop Sink

**COLOR OPTIONS (Must Specify):**

- Standard Palamino Tan
- OC Hybrid Rose
- OC Platinum Gray
- OC Midnight Rose

**PRODUCT OPTIONS:**

- KDG3 Rubber drain gasket for 3" waste pipe
- KDG32 Rubber drain gasket reducer for 2" waste pipe
- KFC Faucet, Chrome Finish (H & C)

**SELECTION SUMMARY & APPROVAL FOR MANUFACTURING**

*All dimensions are nominal and subject to manufacturer's change without notice. Murdock-Super Secur assumes no responsibility for use of void or suspended data. © Copyright 2008, Murdock-Super Secur, a division of Acorn Engineering Company. Please visit [www.murdock-supersecur.com](http://www.murdock-supersecur.com) for most current specifications.*

Model Numbers & Options \_\_\_\_\_ Quantity \_\_\_\_\_

Company \_\_\_\_\_ Date \_\_\_\_\_

Contact \_\_\_\_\_ Title \_\_\_\_\_

Approval for Manufacturing/Signature \_\_\_\_\_