



RESTROOM FIXTURES

TSH-24

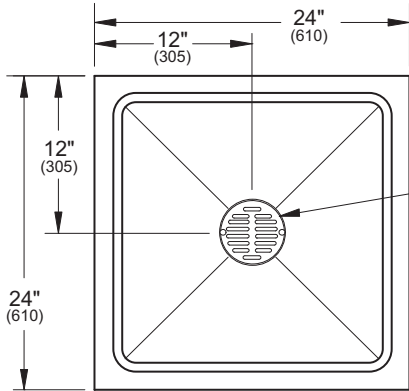
**MURDOCK-
SUPER
SECUR
RESTROOM
FIXTURE**

**MODEL #
TSH-24**

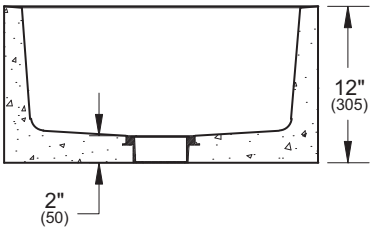
**TERRAZZO
24" SQUARE
MOP SINK**



Note: Fixture may show some available options



Integral drain with removable grid strainer.
Drain provides inside caulk connection to 3" pipe.



TECHNICAL DATA:

Mop Sink is an attractive, durable fixture designed to be easy to install and maintain. Precast mop sinks provide flexibility in configuration and size as required by the design of the building and the specific installation. Custom sizes and colors are also available.

Construction is one piece, precast terrazzo composed of marble chips cast in Portland cement to provide a compressive strength of at least 3,000 PSI seven days after casting. The mop sink surface is ground smooth and sealed to provide years of service.

Integral Drain is supplied with a removable, stainless steel grid strainer and provides for an inside caulked connection to a 3" pipe. The mop sink has coved corners and is pitched to the drain outlet to provide positive drainage.

Shoulders come standard without caps exposing the natural terrazzo finish.

Accessories to complement and complete the installation of the mop sink include chrome finish faucets and rubber drain gaskets (for easy installation of the fixture).

MODEL NUMBER:

- TSH-24 Terrazzo 24" Square Mop Sink

COLOR OPTIONS (Must Specify):

- Standard Palamino Tan
- OC Hybrid Rose
- OC Platinum Gray
- OC Midnight Rose

PRODUCT OPTIONS:

- KDG3 Rubber drain gasket for 3" waste pipe
- KDG32 Rubber drain gasket reducer for 2" waste pipe
- KFC Faucet, Chrome Finish (H & C)

SELECTION SUMMARY & APPROVAL FOR MANUFACTURING

All dimensions are nominal and subject to manufacturer's change without notice. Murdock-Super Secur assumes no responsibility for use of void or suspended data. © Copyright 2008, Murdock-Super Secur, a division of Acorn Engineering Company. Please visit www.murdock-supersecur.com for most current specifications.

Model Numbers & Options _____ Quantity _____

Company _____ Date _____

Contact _____ Title _____

Approval for Manufacturing/Signature _____