



WATER COOLERS

A171.8VR Series MODEL A171108S-VRB BARRIER FREE, VANDAL RESISTANCE BUTTON, WALL MOUNTED WATER COOLER

STANDARD FEATURES

- Child or Adult ADA Compliant (when properly installed)
- 304 stainless steel basin and flush mounted chrome plated brass button
- Polished Stainless Steel, anti-rotation, non-squirt bubbler
- 100 mesh inlet strainer
- Vandal resistant screws
- Hanging bracket provided
- Auto-stop allows cartridge and strainer service without shutting off water supply

SUGGESTED SPECIFICATIONS

Model A171108S-VRB is a self-contained, vandal resistant button pressure water cooler that shall deliver a minimum of **8.0 GPH** (30.3 LPH) of water at 50°F (10°C) cooled from 80°F (26.7°C) inlet water and 90°F (32.2°C) ambient. Unit shall be activated by chrome plated brass pushbutton using less than 5 pounds of force. Bubbler shall be Lead-Free Stainless Steel with an integrally designed non-squirt feature and operate on a pressure range of 20-105 psig. Basin shall be constructed from 304 stainless steel and have an integral drain. Cabinet shall be Granite powder coated on galvanized steel. Cooling system shall use R-134a refrigerant and be capillary tube controlled. An adjustable thermostat with an off position shall control the refrigeration system. Unit shall be listed by Underwriters Laboratories for both the US and Canada, compliant to the Air Conditioning and Refrigeration Institute Standard 1010. Fountain is certified to ANSI A117.1, Public Law 111-380 (NO-LEAD), CHSC 116875 and NSF/ANSI 61, Section 9. Fixture meets ADA, ADA Standing Person, and ADA Child requirements when mounted appropriately.

Model Number	GPH*	Rated Watts	Full Load Amps	Approx. Shipping Weight
A171108S-VRB	8.0	335	4.4	56 lbs.

* GPH of 50°F water at 90°F ambient room temperature and 80°F inlet water temperature
Compressor motor operates on 115 Volt / 60 Hz single phase.



Please visit www.murdockmfg.com for most current specifications.



“INDOOR USE ONLY”

MODEL:

(Must Specify)

- A171108S-VRB Granite Finish

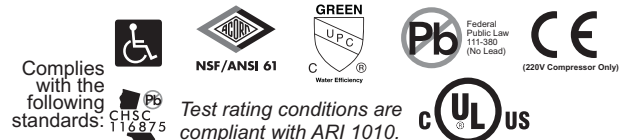
OPTIONS

(additional costs may be incurred)

- BF1 Pushbutton bottle filler, granite powder coat
- BF1S Pushbutton bottle filler, stainless steel
- BF2 Sensor operated bottle filler, granite powder coat
- BF2S Sensor operated bottle filler, stainless steel
- CSC2 Concealed support carrier
- WB1 Wall bezel, stainless steel
- WF1 1500 gallon capacity, NSF 42+53, 1 micron lead reduction filter
- 220V 220 volt / 50 Hz compressor

BOTTLE FILLER OPTIONS

- BAT Battery Operated (N/A With Bottle Counter)
- BCD Bottle Counter Display



Complies with the following standards: CHSC 116875

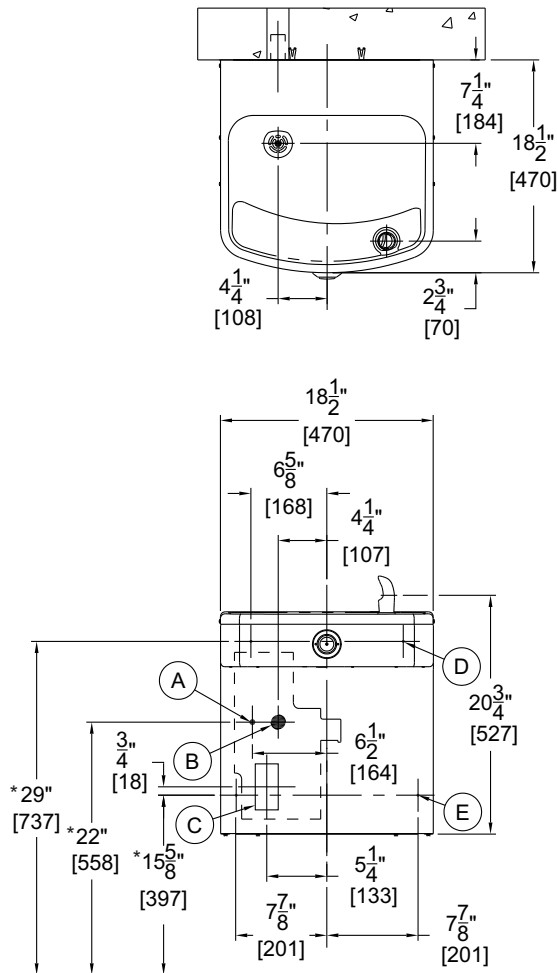
Test rating conditions are compliant with ARI 1010.



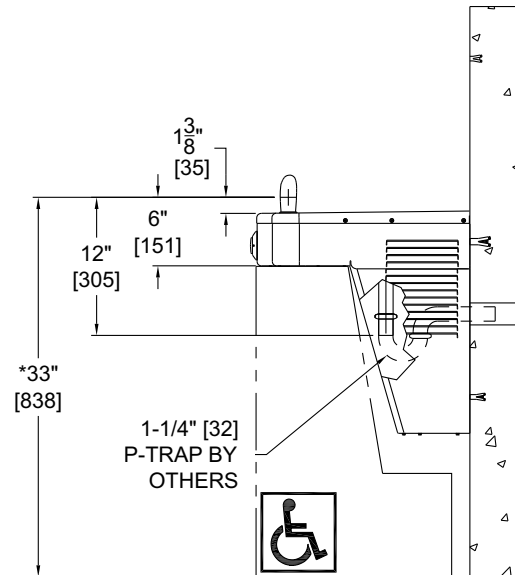
WATER COOLERS

All dimensions are subject to manufactures tolerance of plus or minus 1/2" nominal and subject to change without notice. Murdock Mfg. assumes no responsibility for use of void or superseded data. Dimensions may change with the addition of optional accessories. Murdock Mfg.™, Member of Morris Group International™. Please visit www.Murdockmfg.com for most current specifications.

A171.8-VR Series MODEL A171108S-VRB BARRIER FREE, VANDAL RESISTANCE BUTTON, WALL MOUNTED WATER COOLER



- A. 3/8" NCT SUPPLY INLET
- B. WASTE OUTLET FOR 1-1/4" P-TRAP BY OTHERS.
- C. ELECTRICAL SERVICE ROUGH.
- D. Ø3/8" HANGER BRACKET PUNCHING, 3 PLACES FOR ANCHORING HARDWARE BY OTHERS.
- E. Ø1/4" PUNCHING, 2 PLACES FOR ANCHORING HARDWARE BY OTHERS.



GENERAL NOTES:

1. ALL DIMENSIONS ARE IN INCHES [MM]
2. ALLOW 4 INCHES [102 MM] MINIMUM CLEARANCE PER SIDE FOR VENTILATION
- *3. DIMENSIONS SHOWN ARE FOR ADA ADULT HEIGHT. ADJUST VERTICAL DIMENSIONS AS NECESSARY TO COMPLY WITH FEDERAL, STATE, & LOCAL CODES.
4. STOP VALVE, P-TRAP, & ELECTRICAL OUTLET NOT SUPPLIED.
5. IMPORTANT: COOLERS MUST BE ATTACHED TO WALL WITH APPROPRIATE ANCHOR SCREWS.

Murdock Mfg.™ warrants that its products are free from defects in material or workmanship under normal use and service for a period of one year from date of shipment. Murdock's liability under this warranty shall be discharged solely by replacement or repair of defective material, provided Murdock™ is notified in writing within one year from date of shipment, F.O.B. Industry, California.

SELECTION SUMMARY & APPROVAL FOR MANUFACTURING	Model Number & Options _____	Quantity _____	All dimensions are subject to manufactures tolerance of plus or minus 1/2" nominal and subject to change without notice. Murdock assumes no responsibility for use of void or superseded data. Dimensions may change with the addition of optional accessories. Murdock Mfg.™, Member of Morris Group International™. Please visit www.murdockmfg.com for most current specifications.
	Company _____		
	Contact _____	Title _____	
	Signature (Approval for Manufacturing) _____	Date _____	