



WATER COOLERS

A172.8UBLVR Series

MODEL A172108S-UBL-VRB

BARRIER FREE, VANDAL RESISTANCE
 BUTTON, UNIVERSAL BI-LEVEL,
 WALL MOUNTED WATER COOLER

STANDARD FEATURES

- Child or Adult ADA Compliant (when properly installed)
- Universal Bi-Level -Can be installed left unit high, right unit low or opposite with no additional parts required.
- 304 stainless steel basin and flush mounted chrome plated brass button
- Polished stainless steel, anti-rotation, non-squirt bubblers
- 100 mesh inlet strainer
- Vandal resistant screws and screened louvers
- Individual hanging brackets provided
- Auto-stop allows cartridge and strainer service without shutting off water supply

SUGGESTED SPECIFICATIONS

Model A172108S-UBL-VRB is a self-contained, enhanced vandal resistant bi-level pressure water cooler that shall deliver a minimum of **8.0 GPH** (30.3 LPH) of water at 50°F (10°C) cooled from 80°F (26.7°C) inlet water and 90° (32.2°C) ambient. Units shall be activated by chrome plated brass front pushbuttons by using less than 5 pounds of force. Bubblers shall be Lead-Free Stainless Steel with an integrally designed non-squirt feature and operate on a water pressure range of 20-105 psig. Tops shall be constructed from 304 Stainless steel and have an integral drain. Cabinet shall be Granite powder coated on galvanized steel. Cooling system shall use R-134a refrigerant and be capillary tube controlled. An adjustable thermostat with an off position shall control the refrigeration system. Unit is certified to ANSI A117.1 and NSF/ANSI 61, Section 9 requirements and Public Law 111-380. Fixture meets ADA, ADA Standing Person, and ADA Child requirements when mounted appropriately. Unit shall be listed by Underwriters Laboratories for both the US and Canada, compliant to the Air Conditioning and Refrigeration Institute Standard 1010.

Model Number	GPH*	Rated Watts	Full Load Amps	Approx. Shipping Weight
A172108S-UBL-VRB	8.0	335	4.4	56 lbs.

* GPH of 50°F water at 90°F ambient room temperature and 80°F inlet water temperature
 Compressor motor operates on 115 Volt / 60 Hz single phase.



Please visit www.murdockmfg.com for most current specifications.



"INDOOR USE ONLY"

MODEL:

(Must Specify)

- A172108S-UBL-VRB Granite Finish

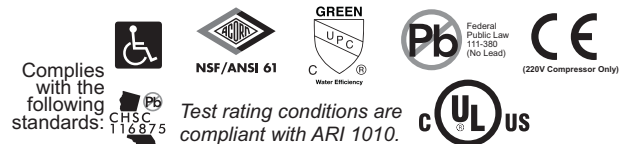
OPTIONS

(additional costs may be incurred)

- BF1 Pushbutton bottle filler, granite powder coat
- BF1S Pushbutton bottle filler, stainless steel
- BF2 Sensor operated bottle filler, granite powder coat
- BF2S Sensor operated bottle filler, stainless steel
- CSC3 Concealed support carrier
- SK5 Skirt kit for upper unit
- WB3 Wall bezel, left unit high, right unit low
- WB4 Wall bezel, right unit high, left unit low
- WF1 1500 gallon capacity, NSF 42+53, 1 micron lead reduction filter
- 220V 220 volt / 50 Hz compressor

BOTTLE FILLER OPTIONS

- BAT Battery Operated (N/A With Bottle Counter)
- BCD Bottle Counter Display



Complies with the following standards: CHSC 116875

Test rating conditions are compliant with ARI 1010.

MURDOCK MFG. • 15125 Proctor Avenue • City of Industry, CA 91746 USA
 Phone 800-453-7465 or 626-333-2543 • Fax 626-855-4860 • www.murdockmfg.com

Member of MORRIS GROUP INTERNATIONAL

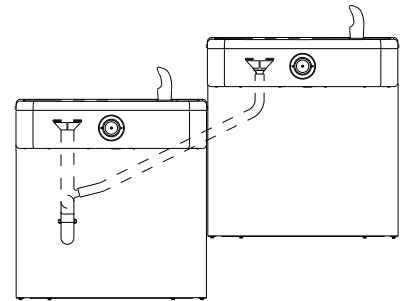
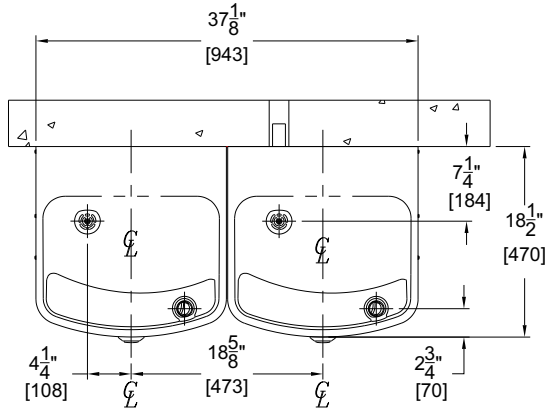


WATER COOLERS

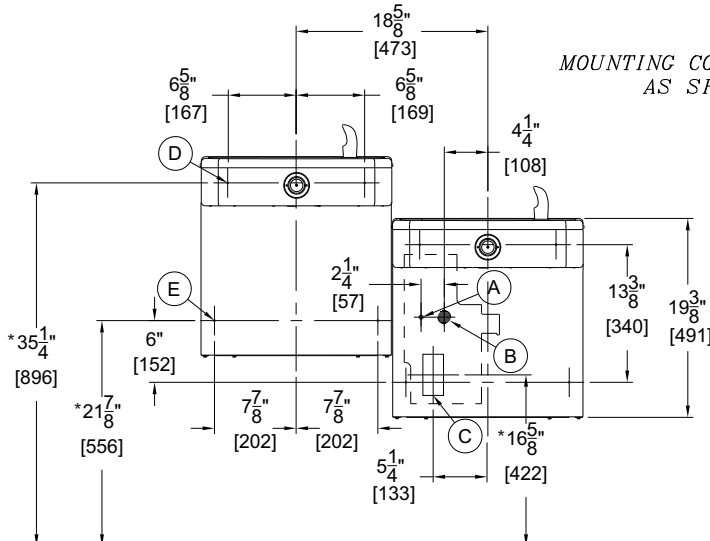
All dimensions are subject to manufactures tolerance of plus or minus 1/8" nominal and subject to change without notice. Murdock Mfg. assumes no responsibility for use of void or superseded data. Dimensions may change with the addition of optional accessories. Murdock Mfg.™, Member of Morris Group International™. Please visit www.Murdockmfg.com for most current specifications.

A172.8UBLVR Series

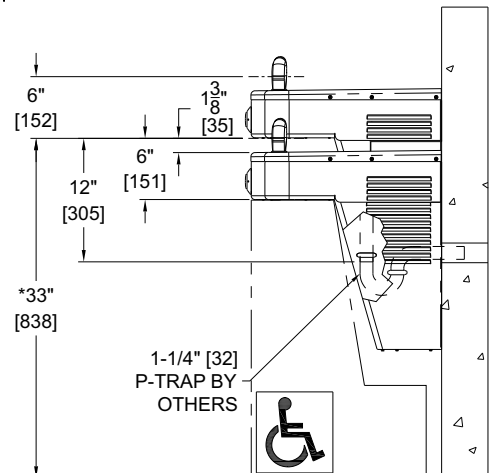
MODEL A172108S-UBL-VRB
 BARRIER FREE, VANDAL RESISTANCE
 BUTTON, UNIVERSAL BI-LEVEL,
 WALL MOUNTED WATER COOLER



ALTERNATE MOUNTING CONFIGURATION



MOUNTING CONFIGURATION AS SHIPPED



GENERAL NOTES:

1. ALL DIMENSIONS ARE IN INCHES [MM]
2. ALLOW 4 INCHES [102 MM] MINIMUM CLEARANCE PER SIDE FOR VENTILATION
- *3. DIMENSIONS SHOWN ARE FOR RECOMMENDED ADULT HEIGHT. ADJUST VERTICAL DIMENSIONS AS NECESSARY TO COMPLY WITH FEDERAL, STATE, & LOCAL CODES.
4. STOP VALVE, P-TRAP, & ELECTRICAL OUTLET NOT SUPPLIED.
5. IMPORTANT: COOLERS MUST BE ATTACHED TO WALL WITH APPROPRIATE WALL ANCHOR SCREWS.

- A. 3/8" NCT SUPPLY INLET
- B. WASTE OUTLET FOR 1-1/4" P-TRAP BY OTHERS.
- C. ELECTRICAL SERVICE ROUGH.
- D. Ø3/8" HANGER BRACKET PUNCHING, 3 PLACES FOR ANCHORING HARDWARE BY OTHERS.
- E. Ø1/4" PUNCHING, 2 PLACES FOR ANCHORING HARDWARE BY OTHERS.

Murdock Mfg.™ warrants that its products are free from defects in material or workmanship under normal use and service for a period of one year from date of shipment. Murdock's liability under this warranty shall be discharged solely by replacement or repair of defective material, provided Murdock™ is notified in writing within one year from date of shipment, F.O.B. Industry, California.

SELECTION SUMMARY & APPROVAL FOR MANUFACTURING	Model Number & Options _____	Quantity _____	All dimensions are subject to manufactures tolerance of plus or minus 1/8" nominal and subject to change without notice. Murdock assumes no responsibility for use of void or superseded data. Dimensions may change with the addition of optional accessories. Murdock Mfg.™, Member of Morris Group International™. Please visit www.murdockmfg.com for most current specifications.
	Company _____		
	Contact _____	Title _____	
	Signature (Approval for Manufacturing) _____	Date _____	