



P.O. Box 22326  
Lincoln, NE 68542

PF: 402/421-9464 | WEBSITE: [www.sitescapesonline.com](http://www.sitescapesonline.com)  
FX: 402/421-9479 | E-MAIL: [info@sitescapesonline.com](mailto:info@sitescapesonline.com)

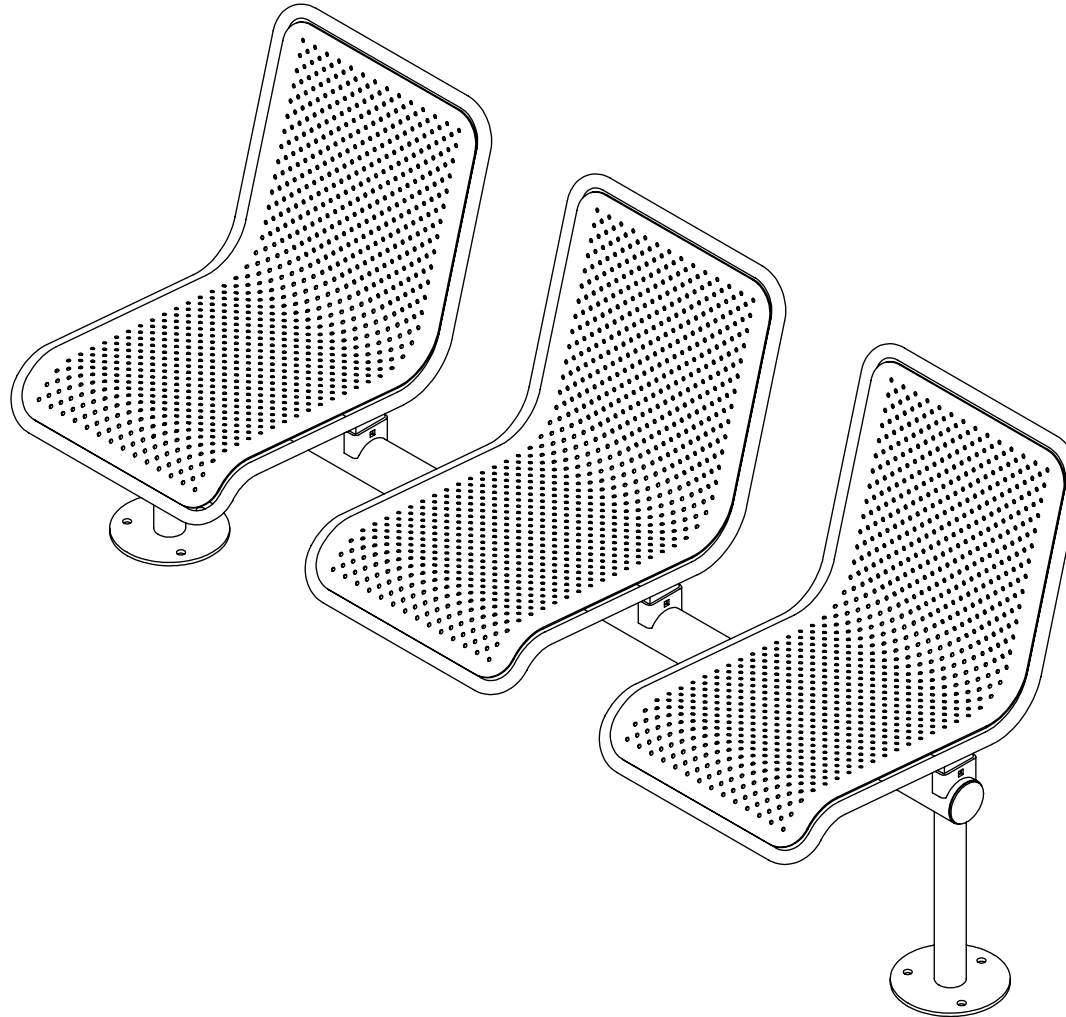
TITLE *PUNCHED METAL  
BENCH*

PRODUCT NO.  
*PM1-1020*

INCH TOLERANCES U.O.S.  
FRACTION--  $\pm 1/16"$   
ANG-----  $\pm 1^\circ$

THE INFORMATION CONTAINED IN THIS DRAWING IS THE SOLE PROPERTY OF SITESCAPES, INC. ANY REPRODUCTION IN PART OR AS A WHOLE WITHOUT THE WRITTEN PERMISSION OF SITESCAPES, INC. IS PROHIBITED.

\*Available in powder coat and DuraCoat finishes





P.O. Box 22326  
Lincoln, NE 68542

PF: 402/421-9464 | WEBSITE: [www.sitescapesonline.com](http://www.sitescapesonline.com)  
FX: 402/421-9479 | E-MAIL: [info@sitescapesonline.com](mailto:info@sitescapesonline.com)

INCH TOLERANCES U.O.S.

FRACTION--  $\pm 1/16"$   
ANG-----  $\pm 1^\circ$

THE INFORMATION CONTAINED IN THIS DRAWING IS THE SOLE PROPERTY OF SITESCAPES, INC. ANY REPRODUCTION IN PART OR AS A WHOLE WITHOUT THE WRITTEN PERMISSION OF SITESCAPES, INC. IS PROHIBITED.

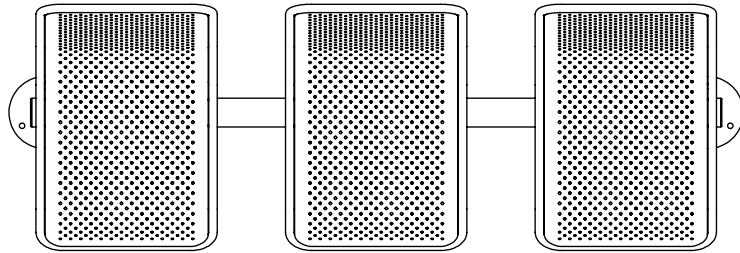
TITLE *PUNCHED METAL BENCH*

PRODUCT NO.  
*PM1-1020*

\*Available in powder coat and DuraCoat finishes

Materials List

- (1) Seat Panels - 1/8" Punched Aluminum
- (2) Seat Frames -  $\phi 7/8"$  x .095" Wall Aluminum Tubing
- (3) Support Legs -  $\phi 2"$  x 1/8" Wall Steel Tubing
- (4) Support Pipe -  $\phi 3"$  x 1/8" Wall Steel Tubing
- (5) Surface Mount Plates -  $\phi 7 1/2"$  x 1/4" Stainless Steel Plate with 9/16" Mounting Holes
- (6) Mounted with Six  $\phi 1/2"$  x 4-5" Stainless Steel Anchor Bolts (Customer Supplied)



TOP VIEW

